

User manual

Brugsanvisning

Bruksanvisning

Käyttöopas



IM 50 - IM 50 RF

Cylinda
år efter år



Please read this manual first!

Dear Customer,

Thank you for purchasing a Cylinda product. We hope that you get the best results from your product which has been manufactured with high quality and state-of-the-art technology. Therefore, please read this entire user manual and all other accompanying documents carefully before using the product and keep it as a reference for future use. If you handover the product to someone else, give the user manual as well. Follow all warnings and information in the user manual.

Meanings of the symbols

Following symbols are used in the various section of this user manual:

	Important information and useful hints about usage.
	Warnings for dangerous situations concerning the safety of life and property.
	Warning for hot surfaces.



This product has been manufactured in environmental friendly modern plants without giving any harm to the nature.

This appliance conforms to the WEEE regulation.



It does not contain PCB.

CONTENTS

ENGLISH	04-27
DANSK	28-52
SVENSKA	53-76
NORSK	77-100
SUOMI	101-124

01M-8853063200-4719-02
01M-8853053200-4719-02

1 Important safety and environmental instructions

Important Safety Instructions Read Carefully And Keep For Future Reference

This section contains safety instructions that will help protect from risk of fire, electric shock, exposure to leak microwave energy, personal injury or property damage. Failure to follow these instructions shall void any warranty.

1.1 General safety

- The microwave oven is intended for heating food and beverages. Drying of food or clothing and heating of warming pads, slippers, sponges, damp cloth and similar may lead to risk of injury, ignition or fire.

This appliance is intended to be used in household and similar applications such as:

- Staff kitchen areas in shops, offices and other working environments;
- Farm houses
- By clients in hotels, and other residential type environments;
- Bed and Breakfast type environments.

It is not fit for industrial use.

- Do not attempt to start the oven when its door is open; otherwise you may be exposed to harmful microwave energy. Safety locks should not be disabled or tampered with.
- Do not place any object between the front side and the door of the oven. Do not allow dirt or cleaning agent remnants to build up on the closure surfaces.
- Any service works involving removal of the cover that provides protection against exposure to microwave energy must be performed by authorized persons/service. Any other approach is dangerous.
- Your product is intended for cooking, heating and defrost food at home. It must not be used for commercial purposes. Manufacturer shall not be held liable for damages that have arisen from misuse.
- Do not use this appliance outdoors, bathrooms, humid environments or in places where the it can get wet.

1

Important safety and environmental instructions

- No responsibility or warranty claim shall be assumed for damages arising from misuse or improper handling of the appliance.
- Never attempt to dismantle the appliance. No warranty claims are accepted for damage caused by improper handling.
- Only use the original parts or parts recommended by the manufacturer.
- Do not leave this appliance unattended while it is in use.
- Always use the appliance on a stable, flat, clean dry, and non-slip surface.
- The appliance should not be operated with an external clock timer or separate remote control system.
- Before using the appliance for the first time, clean all parts. Please see the details given in the "Cleaning and Maintenance" section.
- Operate the appliance for its intended purpose only as described in this manual. Do not use abrasive chemicals or steam on this appliance. This oven is particularly intended for heating and cooking the food.
- It is not intended for industrial or laboratory use.
- Do not use your appliance to dry clothes or kitchen towels.
- Appliance becomes very hot while it is in use. Pay attention not to touch the hot parts inside the oven.
- Your oven is not designed to dry any living being.
- Do not operate the oven empty.
- Only use utensils that are suitable for use in microwave ovens.
- Cooking utensil may get hot due to the heat transferred from the heated food to the utensil. You may need oven gloves to hold the utensil.
- Utensils shall be checked to ensure that they are suitable for use in microwave ovens.
- Do not place the oven on stoves or other heat generating appliances. Otherwise, it may be damaged and the warranty becomes void.
- Microwave oven must not be placed in a cabinet that is not in compliance with the installation instructions.

Important safety and environmental instructions

- Steam may come out while opening the covers or the foil after cooking the food.
- Use gloves while taking any kind of heated food out.
- The appliance and its accessible surfaces may be very hot when the appliance is in use.
- Door and outer glass may be very hot when the appliance is in use.

1.1.1 Electrical safety

- If the supply cord is damaged, it must be replaced by the manufacturer or its service agent or a similarly qualified person in order to avoid a hazard.
- Cylinda Microwave Ovens comply with the applicable safety standards; therefore, in case of any damage on the appliance or power cable, it should be repaired or replaced by the dealer, service center or a specialist and authorized service alike to avoid any danger. Faulty or unqualified repair work may be dangerous and cause risk to the user.
- Make sure that your mains power supply complies with the information supplied on the rating plate of the appliance.
- The only way to disconnect the appliance from the power supply is to remove the power plug from the power outlet.
- Use the appliance with a grounded outlet only.
- Never use the appliance if the power cable or the appliance itself is damaged.
- Do not use this appliance with an extension cord.
- Never touch the appliance or its plug with damp or wet hands.
- Place the appliance in a way so that the plug is always accessible.
- Prevent damage to the power cable by not squeezing, bending, or rubbing it on sharp edges. Keep the power cable away from hot surfaces and naked flame.
- Make sure that there is no danger that the power cable could be accidentally pulled or that someone could trip over it when the appliance is in use.
- Unplug the appliance before each cleaning and when the appliance is not in use.
- Do not pull the power cable of the appliance to disconnect it from its power supply and never wrap its power cable around the appliance.

- Do not immerse the appliance, power cable, or power plug in water or any other liquids. Do not hold it under running water.
- Do not cook food directly on the glass tray. Put the food in / on appropriate kitchen utensils before placing them in the oven.
- When heating food in plastic or paper containers, keep an eye on the oven due to the possibility of ignition.
- Ensure containers are suitable for microwave use.
- Remove the wire strings and/or metal handles of paper or plastic bags before placing bags suitable for use in microwave oven to the oven.
- If smoke is observed, switch off or unplug the appliance if safe to do so and keep the door closed in order to stifle any flames.
- Do not use microwave oven for storage. Do not leave paper items, cooking material or food inside the oven when it is not being used.
- The contents of feeding bottles and baby food jars should be stirred or shaken and the temperature checked before consumption, in order to avoid burns.
- This appliance is a Group 2 Class B ISM equipment. Group 2 contains all ISM (Industrial, Scientific and Medical) equipment in which radio-frequency energy is intentionally generated and/or used in the form of electromagnetic radiation for the treatment of material, and spark erosion equipment.
- Class B equipment is suitable for use in domestic establishments and establishments directly connected to a low voltage power supply network.
- Door or outer surface of the appliance may become hot when it is in use.

1.1.2 Product safety

- Be careful when removing beverages and food from the microwave.
- Do not use cooking oil in the oven. Hot oil may damage the components and materials of the oven, and it may even cause skin burns.
- Pierce food with thick crust such as potatoes, courgettes, apples and chestnuts.
- Appliance must be placed so that the rear side is facing the wall.

- Before moving the appliance, please secure the turntable to prevent damage.
- Eggs in their shell and whole hard-boiled eggs must not be heated in microwave ovens since they may explode, even after microwave heating has ended.
- Never remove the parts at the rear and sides of the appliance, which protect the minimum distances between the cabinet walls and the appliance in order to allow for the required air circulation.
- **WARNING:** It is hazardous for anyone other than a competent person to carry out any service or repair operation which involves the removal of a cover which gives protection against exposure to microwave energy.
- **WARNING:** Liquids and other foods must not be heated in sealed containers since they are liable to explode.
- The oven should be cleaned regularly and any food deposits removed.

1.2 Intended use

- Failure to maintain the oven in a clean condition could lead to deterioration of the surface that could adversely affect the life of the appliance and possibly result in a hazardous situation.
- Cleaning the door seals and adjacent parts: Use hot soapy water. Clean with a dish cloth, do not scour. Do not use a metal or glass scraper for cleaning.
- **WARNING:** If the door or door seals are damaged, the oven must not be operated until it has been repaired by a competent person.
- There should be min 30 cm free space above the top surface of the oven.
- Do not use the appliance for anything other than its intended use.
- Do not use the appliance as a heat source.
- Microwave oven is intended to thaw, cook and stew food only.
- Do not over-cook foods; otherwise, you may cause a fire.
- Do not use steam assisted cleaners to clean the appliance.

1.3 Children's safety

- Extreme caution is advised when being used near children and persons who are restricted in their physical, sensory or mental abilities.
- This appliance can be used by the children who are at the age of 8 or over and by the people who have limited physical, sensory or mental capacity or who do not have knowledge and experience, as long as they are supervised with regard to safe use of the product or they are instructed accordingly or understand the risks of using the product. Children should not play with the appliance. Cleaning and user maintenance procedures should not be performed by children unless they are controlled by their elders.
- Danger of choking! Keep all the packaging materials away from children.
- Only allow children to use the oven without supervision when adequate instructions have been given so that the child is able to use the microwave oven in a safe way and understands the hazards of improper use.
- Due to excessive heat that arises in grill and combination modes, children should only be allowed to use these modes under supervision of an adult.
- Keep the product and its power cable so that they are inaccessible by children under 8 years old.
- The appliance and its accessible surfaces may be very hot when the appliance is in use. Keep children away.
- The appliance is not intended for use by persons (including children) with reduced physical, sensory or mental capabilities, or lack of experience and knowledge, unless they have been given supervised or instruction concerning use of the appliance by a responsible person for their safety.
- Young children should be supervised to ensure that they do not play with the appliance.
- **WARNING:** Only allow children to use the oven without supervision when adequate instructions have been given so that the child is able to use the oven in a safe way and understands the hazards of improper use.

1

Important safety and environmental instructions

1.4 Compliance with the WEEE Directive and Disposing of the Waste Product:

This product complies with EU WEEE Directive (2012/19/EU). This product bears a classification symbol for waste electrical and electronic equipment (WEEE).



This symbol indicates that this product shall not be disposed with other household wastes at the end of its service life. Used device must be returned to official collection point for recycling of electrical and electronic devices. To find these collection systems please contact to your local authorities or retailer where the product was purchased. Each household performs important role in recovering and recycling of old appliance. Appropriate disposal of used appliance helps prevent potential negative consequences for the environment and human health.

1.5 Compliance with RoHS Directive

The product you have purchased complies with EU RoHS Directive (2011/65/EU). It does not contain harmful and prohibited materials specified in the Directive.

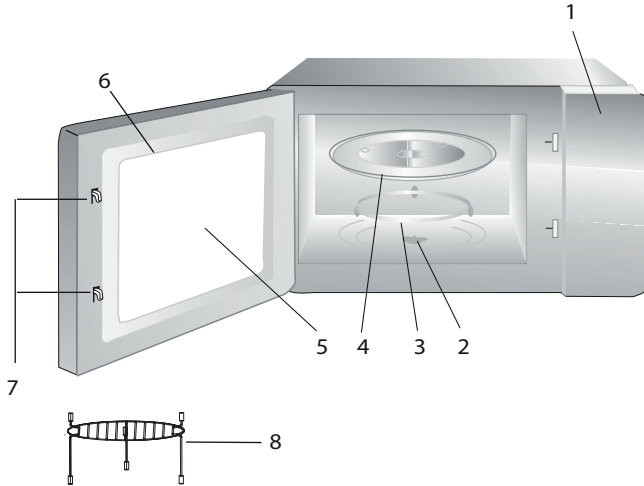
1.6 Package information



Packaging materials of the product are manufactured from recyclable materials in accordance with our National Environment Regulations. Do not dispose of the packaging materials together with the domestic or other wastes. Take them to the packaging material collection points designated by the local authorities.

2 Your microwave oven

2.1 Overview



1. Control panel
2. Turntable shaft
3. Turntable support
4. Glass tray
5. Oven window
6. Door group
7. Door safety interlock system
8. Grill rack (only to be used in grill function and placed on the glass tray)

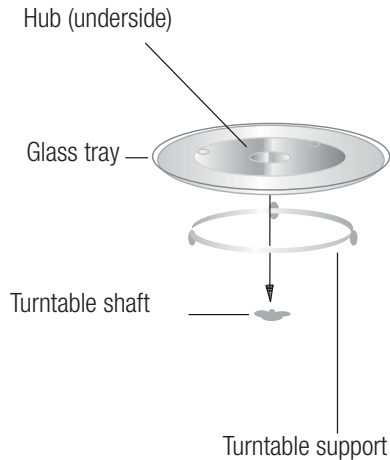
2.2 Technical data

Power consumption	230 V~50 Hz, 1450 W (Microwave) 1000 W (Grill)
Output	900 W
Operating frequency	2450 MHz
Ampere value	6.4 A
External dimensions	388 mm (H) / 595 mm (W) / 400 mm (D)
Internal dimensions of the oven	206 mm (H) / 328 mm (G) / 368 mm (D)
Oven Capacity	25 litres
Net weight	18,5 kg

Markings on the product or the values stated in other documents supplied with the product are values obtained under laboratory conditions as per relevant standards. These values may vary according to the usage of the appliance and ambient conditions. Power values are tested at 230V.

2 Your microwave oven

2.3 Installing the turntable



- Never place the glass tray upside down. The glass tray should never be restricted.
- Both glass tray and turntable support must always be used during cooking.
- All food and containers of food must always place on the glass tray for cooking.
- If glass tray or turntable support crack or break, contact your nearest authorized service center.

3 Installation and connection

3.1 Installation and connection

- Remove all packing material and accessories. Examine the oven for any damage such as dents or broken door. Do not install if oven is damaged.
- Remove any protective film found on the microwave oven cabinet surface.
- Do not remove the light brown Mica cover that is attached to the oven cavity to protect the magnetron.
- This appliance has been designed for domestic use only.
- This oven is intended for built-in use only. It is not intended for counter-top use or for use inside a cabinet.
- Please observe the special installation instructions.
- The appliance can be installed in a 60cm wide wall-mounted cabinet (at least 50 cm deep and 85 cm off the floor).
- The appliance is fitted with a plug and must only be connected to a properly installed grounded socket.
- The mains voltage must correspond to the voltage specified on the rating plate.
- If the plug is no longer accessible after installation, an all-pole isolating switch must be present on the installation side with a contact gap of at least 3 mm.
- Adapters, multi-way sockets and extension cords must not be used. Overloading can result with a risk of fire.



The accessible surface may be hot during operation.

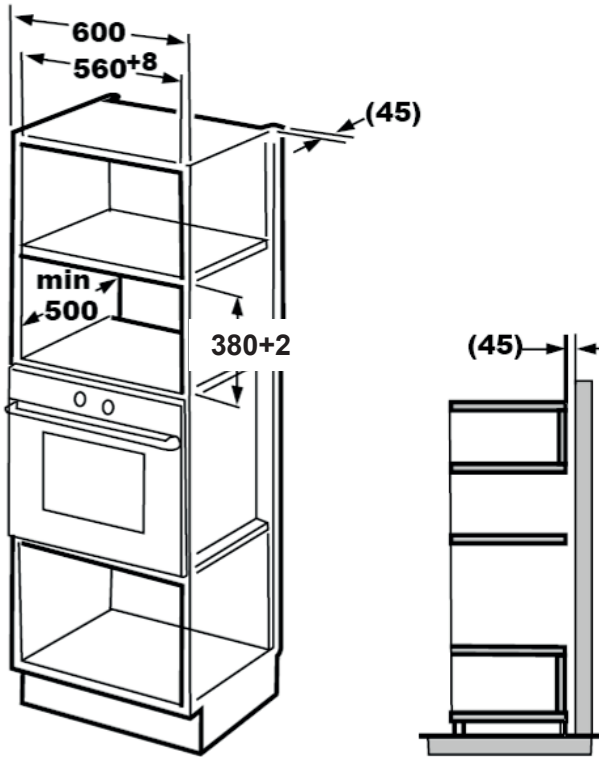


Do not trap or bend the power cable.

3 Installation and connection

3.2 Built-in installation

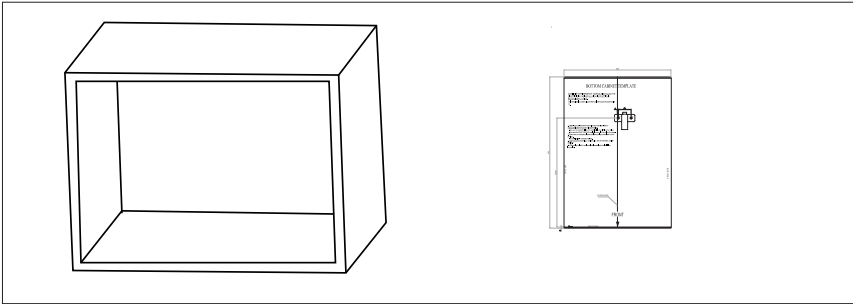
3.2.1 Furniture dimensions for built-in installation



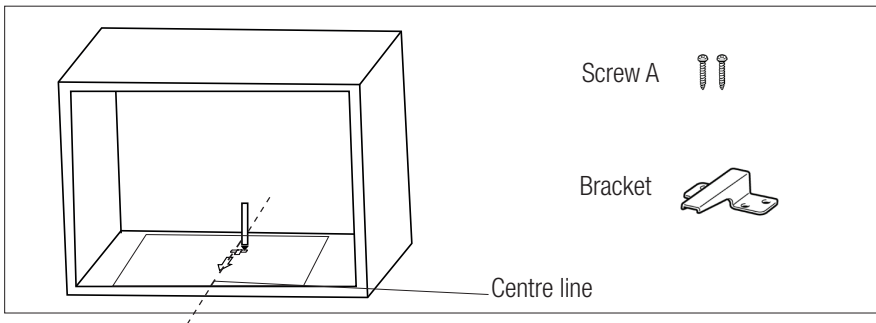
3 Installation and connection

3.2.2 Preparing the cabinet

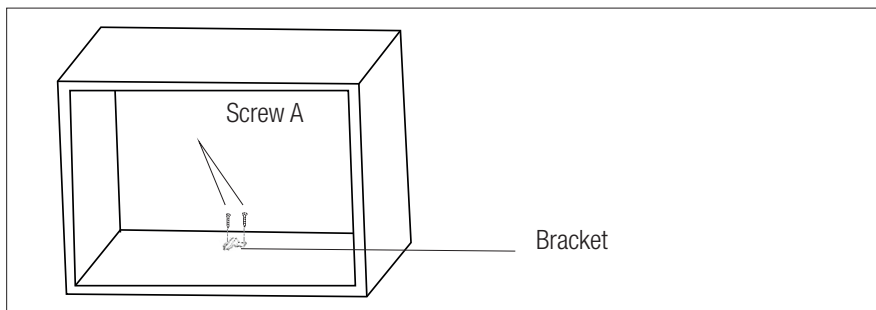
1. Read the instruction on the bottom cabinet template and put the template on the bottom plane of cabinet.



2. Make the marks on the bottom plane of cabinet according to marks "a" of the template.



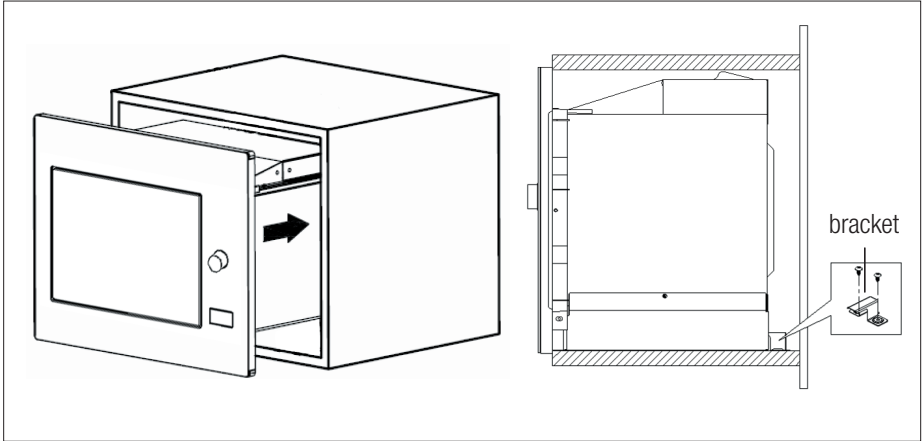
3. Remove the bottom cabinet template and fix the bracket with screw A.



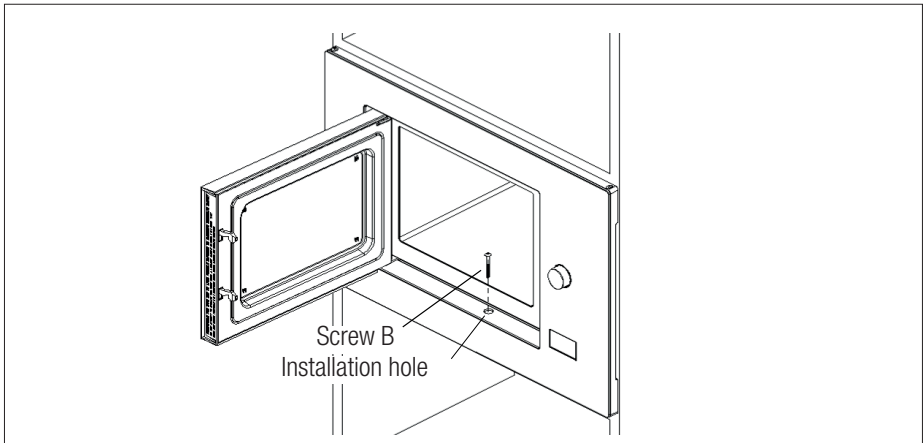
3 Installation and connection

3.2.3 Fixing the oven

1. Install the oven into the cabinet.
 - Make sure the back of the oven is locked by bracket.
 - Do not trap or bend the power cable.



2. Open the door, fix the oven to the cabinet with Screw B through the installation hole.



3 Installation and connection

3.3 Radio interference



Operation of the microwave oven may cause interference on radios, TVs and similar appliances.

- Place the oven as far away from radios and TVs as possible. Operation of microwave oven may cause interference to your radio or TV reception.
- 2. Plug your oven into a standard household outlet. Be sure the voltage and the frequency is the same as the voltage and the frequency on the rating plate.
- In case of interference, it may be reduced or eliminated by taking the precautions given below:
- Clean the door and sealing surface of the oven.
- Set the antenna direction of the radio or TV again.
- Reposition the oven based on the location of the receiver.
- Place microwave oven away from the receiver.
- Plug the microwave oven to another outlet, thus microwave oven and receiver shall be on different lines.

3.4 Microwave cooking principles

- Prepare the food carefully. Place the remaining parts to the outside of the dish.
- Pay attention to the cooking time. Cook in the shortest time specified and add some more time if required. Overcooked food may cause smoke or may be burnt.
- Cover the food while cooking. Covering the food prevents any splashing and helps to ensure that food is cooked evenly.
- Turn over food such as poultry and hamburgers while cooking them in a microwave oven in order to accelerate cooking of this kind of food. Larger food such as roast must be turned over at least once.

- Turn food such as meatballs upside down in the middle of the cooking and replace them with each other from the center of the dish to the outside.

3.5 Grounding instructions

This appliance must be grounded. This oven has a grounding cable with a grounded plug. Appliance must be plugged to a wall outlet installed and grounded correctly. Grounding system allows a leak wire for the electrical current in case of a short circuit and reduces the risk of electric shock. We recommend using an electrical circuit dedicated to the oven. Operating with high voltage is dangerous and may cause fire or other accidents that would cause damage to the oven.



WARNING: Misuse of grounding plug may cause electric shock.



If you have any questions on grounding and electrical instructions, please consult a qualified electric technician or service personnel.



Manufacturer and/or dealer would not accept any responsibility for injuries or damages on the oven that may occur when electrical connection procedures are not followed.

3.6 Utensil test

Never operate the microwave oven empty. The only exception is the utensil test described in the following section. Some certain non-metal utensils may not be suitable for using in microwave. If you are not sure whether your utensil is suitable for microwave, you can perform the following test.

3 Installation and connection

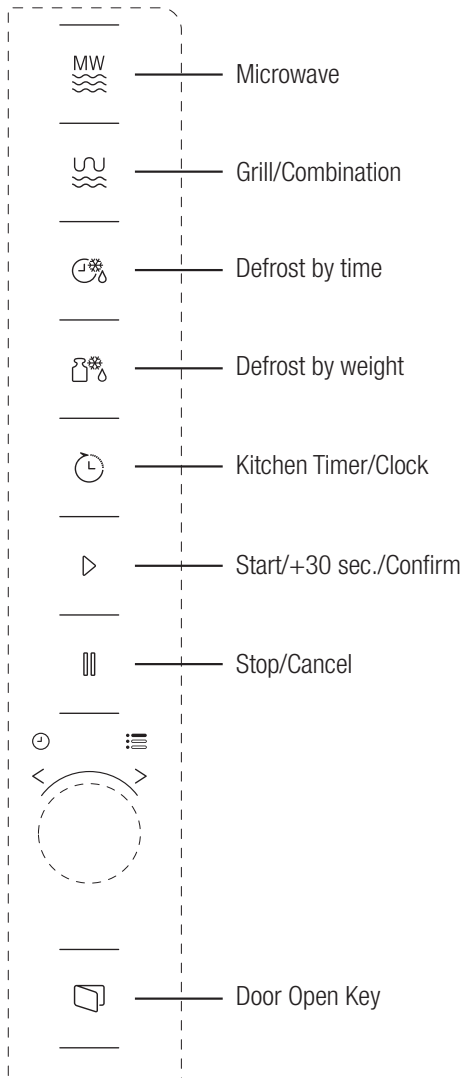
1. Place the empty utensil to be tested into the microwave oven together with a microwave-compatible glass filled with 250 ml water.
2. Operate the microwave oven at max power for 1 minute.
3. Check carefully the temperature of the utensil being tested. If it is warmed up, it is not suitable for use in microwave.
4. Never exceed the operating time limit of 1 minute. If you notice arcing during 1 minute of operation, stop the microwave. Utensils causing arcing are not suitable for use in microwave.

Following list is a general guide that would help you in selecting the right utensil.

Cooking utensil	Microwave	Grill	Combination
Heat-resistant glass	Yes	Yes	Yes
Non-heat-resistant glass	No	No	No
Heat-resistant ceramics	Yes	Yes	Yes
Plastic dish suitable for microwave oven	Yes	No	No
Paper kitchenware	Yes	No	No
Metal tray	No	Yes	No
Metal rack	No	Yes	No
Aluminum foil and foil covers	No	Yes	No
Foam materials	No	No	No

4 Operation



4.1 Control panel



4.2 Operating instructions

4.2.1 Setting the time



When the microwave oven is energized, "0:00" will be displayed in LED screen and buzzer will ring once.

1. Press "Kitchen Timer/Clock" twice and the figures for hours will start flashing.
2. Turn  to adjust the hour; the input value should be between 0 and 23.
3. Press "Kitchen Timer/Clock" and the figures for minutes will start flashing.
4. Turn  to adjust the minutes; the input value should be between 0 and 59.
5. Press "Kitchen Timer/Clock" to finish time setting. ":" symbol will flash, and the time will light.



If you press "Stop/Cancel" during time setting, oven will automatically return back to previous mode.

4.2.2 Cooking with microwave oven

1. Press "Microwave" and "P10" will be displayed in LED screen.
2. Press "Microwave" again or turn  to select the desired power. Each time you press the key, "P10", "P8", "P5", "P3" or "P1" will be displayed respectively.
3. Press "Start/+30 Sec./Confirm" to confirm and turn  to set the cooking time to a value between 0:05 and 95:00.
4. Press "Start/+30 Sec./Confirm" again to start cooking.

4 Operation



Example: If you want to use 80% microwave power to cook for 20 minutes, you can operate the oven with the following steps.

5. Press "Microwave" once and "P10" will be displayed in the screen.
6. Press "Microwave" once again or turn to set 80% microwave power.
7. Press "Start/+30 Sec./Confirm" to confirm and "P 80" will be displayed in the screen.
8. Turn to adjust the cooking time until the oven displays "20:00".
9. Press "Start/+30 Sec./Confirm" to start cooking. The steps for adjusting the time in coding button are as below:

Setting the duration	Increment amount
0-1 minute	5 seconds
1-5 minutes	10 seconds
5-10 minutes	30 seconds
10-30 minutes	1 minute
30-95 minutes	5 minutes

4.2.3 Microwave keypad instructions

Order	Screen	Microwave Power
1	P10	100%
2	P8	80%
3	P5	50%
4	P3	30%
5	P1	10%

4.3 Cooking with grill or combination mode

1. Press "Grill/Combination" and "G" will be displayed in LED screen. Press "Grill/Combination" repeatedly or turn to select the desired power. Each time you press the key, "G", "C-1" or "C-2" will be displayed respectively.
2. Press "Start/+30 Sec./Confirm" to confirm and turn to set the cooking time to a value between 0:05 and 95:00.
3. Press "Start/+30 Sec./Confirm" again to start cooking.



Example: If you want to use 55% microwave power and 45% grill power (C-1) to cook for 10 minutes, you can operate the oven with the following steps.

1. Press "Grill/Combination" once and "G" will be displayed in the screen.
2. Press "Grill/Combination" once again or turn to select the Combination 1 mode.
3. Press "Start/+30 Sec./Confirm" to confirm and "C-1" will be displayed in the screen.
4. Turn to adjust the cooking time until the oven displays "10:00".
5. Press "Start/+30 Sec./Confirm" to start cooking.

4 Operation


4.3.1 "Grill/Combination" Keypad instructions

Order	Screen	Micro-wave Power	Grill Power
1	G	0%	100%
2	C-1	55%	45%
3	C-2	36%	64%



When half the grill time passes, the oven sounds twice, and this is normal. In order to have a better grilling effect, you should turn the food over, close the door, and then press "Start/+30 Sec./Confirm" to continue cooking. If no operation is performed, the oven will continue cooking.


4.4 Quick start

1. In standby mode, press "Start/+30 Sec./Confirm" to start cooking with 100% microwave power. Each time you press the key, cooking time will increase until 95 minutes with steps of 30 seconds.
2. In microwave oven cooking, grill and combination cooking or defrost by time modes, the cooking time will increase by 30 seconds each time you press "Start/+30 Sec./Confirm".
3. In standby mode, turn  counterclockwise to set the cooking time in order to start cooking with 100% microwave power and press "Start/+30 Sec./Confirm" to start cooking.




In auto menu and defrost by weight modes, pressing "Start/+30 Sec./Confirm" will not increase the cooking time.

4.5 Defrost by weight


1. Press "Defrost by weight" for once.
2. Turn  to select the weight of food from 100 to 2000 g.
3. Press "Start/+30 Sec./Confirm" to start defrost.

4.6 Defrost by time

1. Press "Defrost by time" for once.
2. Turn  to select the defrost time. The maximum time is 95 minutes.
3. Press "Start/+30 Sec./Confirm" to start defrost. Defrost power is P30 and cannot be changed.

4.7 Kitchen timer (counter)

Your oven is equipped with an automatic counter which is not linked with the oven functions and can be used separately at the kitchen (it can be set to max. 95 minutes.)



1. Press "Kitchen Timer/Clock" for once and 00:00 will be displayed in LED screen.
2. Turn  to enter the correct time.
3. Press "Start/+30 Sec./Confirm" to confirm the setting.
4. When the countdown from the entered time reaches to 00:00, the buzzer will ring for 5 times. If the time is set (24-hour system), current time will be displayed in LED screen. Press "Stop/Cancel" to abort the timer at anytime.

4 Operation





Kitchen timer functions different than 24-hours system. Kitchen timer is just a timer.

4.8 Auto menu

1. Turn  clockwise to select the desired menu. Menus between "A-1" and "A-8", namely pizza, meat, vegetable, pasta, potato, fish, beverage and popcorn, will be displayed.
2. Press "Start/+30 Sec./Confirm" to confirm.
3. Turn  to choose the default weight in accordance with the menu chart.
4. Press "Start/+30 Sec./Confirm" to start cooking.



Example: If you want to use "Auto Menu" to cook 350 g fish:

1. Turn  clockwise until "A-6" is displayed in the screen.
2. Press "Start/+30 Sec./Confirm" to confirm.
3. Turn  to select the weight of fish until "350" is displayed in the screen.
4. Press "Start/+30 Sec./Confirm" to start cooking.

4 Operation

4.8.1 Auto cooking menu

Menu	Weight	Screen
A-1 Pizza	200 g	200
	400 g	400
A-2 Meat	250 g	250
	350 g	350
	450 g	450
A-3 Vegetable	200 g	200
	300 g	300
	400 g	400
A-4 Pasta	50 g (with 450 ml cold water)	50
	100 g (with 800 ml cold water)	100
A-5 Potato	200 g	200
	400 g	400
	600 g	600
A-6 Fish	250 g	250
	350 g	350
	450 g	450
A-7 Beverage	1 glass (120 ml)	1
	2 glasses (240 ml)	2
	3 glasses (360 ml)	3
A-8 Popcorn	50 g	50
	100 g	100





4 Operation

4.9 Multi-step cooking

At most 2 steps can be set for cooking. In multi-step cooking, if one step is defrosting, then defrosting must be placed in the first step.



If you want to thaw food for 5 minutes and then cook with 80% microwave power for 7 minutes, perform the following steps:


1. Press "Defrost by time" for once.
2. Turn  to select the defrost time until "5:00" is displayed in the screen.
3. Press "Microwave" once and "P100" will be displayed in the screen.
4. Press "Microwave" once again or turn  to set 80% microwave power.
5. Press  (Start/+30Sec./Confirm) to confirm and "P 80" will be displayed in the screen.
6. Turn  to adjust the cooking time until the oven displays "7:00".
7. Press "Start/+30Sec./Confirm" to start cooking. Buzzer will sound once for the first step and defrost time countdown will start. Buzzer will sound once again when entering the second cooking step. Buzzer will sound for 5 times at the end of cooking.

4.10 Query function


1. In microwave, grill and combination modes, press "Microwave" or "Grill/Combination" and the current power level will be displayed for 3 seconds. After 3 seconds, the oven will return to the previous mode.

2. While cooking, press "Kitchen Timer/Clock" and the current time will be displayed for 3 seconds.

4.11 Child lock

1. **Locking:** In standby mode, press "Stop/Cancel" for 3 seconds and a buzzer will sound indicating that the child lock is activated. If the time is already set, current time will also be displayed; otherwise  will be displayed in the LED screen.
2. **Unlocking:** To disable the child lock, press "Stop/Cancel" for 3 seconds and a long "beep" will sound indicating that the child lock is disabled.

4.12 Opening the oven door

Press  (Open door) and the oven door will be opened.

5 Cleaning and maintenance

5.1 Cleaning



WARNING: Never use gasoline, solvent, abrasive cleaning agents, metal objects or hard brushes to clean the appliance.



WARNING: Never immerse the appliance or its power cable in water or in any other liquid.

1. Turn the appliance off and disconnect it from wall socket.
2. Wait for the appliance to completely cool down.
3. Keep the inside of the oven clean. Wipe with a damp cloth when splashed food or spilled liquids stick on the walls of the oven. A mild detergent may be used if the oven gets very dirty. Avoid using sprays and other harsh cleaning agents as they may cause stains, marks, and opaqueness on the door surface.
4. Outer surfaces of the oven must be cleaned with a damp cloth. Do not allow water ingress from ventilation openings to prevent damage to the operating parts in the oven.
5. Wipe both sides of the door and the glass, door gaskets and parts near the gaskets frequently with a damp cloth in order to remove the overflowing and splashing stains. Do not use abrasive cleaning agents.
6. Do not allow control panel to get wet. Clean with a soft damp cloth. Leave the door of the oven open to prevent inadvertent operation while cleaning the control panel.
7. If steam accumulates inside or around the oven door, wipe with a soft cloth. This may occur when the microwave oven is operated under high humidity conditions. It is normal.
8. In some cases, you may need to remove the glass tray for cleaning. Wash the tray in warm soapy water or in a dishwasher.
9. The roller ring and oven floor should be cleaned regularly to avoid excessive noise. It would be sufficient to wipe the lower surface of the oven with a mild detergent. Roller ring may be washed in warm soapy water or in a dishwasher. When you remove the roller ring from oven internal floor for cleaning, ensure that you install it in the correct position while replacing it.
10. In order to remove bad odors in your oven, put a glass of water and juice and peel of a lemon to a deep bowl suitable for use in microwave and operate the oven for 5 minutes in microwave mode. Wipe thoroughly and dry with a soft cloth.
11. Please contact the authorized service when the oven lamp needs to be replaced.
12. The oven should be cleaned regularly and any food deposits should be removed. If the oven is not kept clean, this may cause surface defects that would affect the lifecycle of the appliance negatively and that would possibly cause risks.
13. Please do not dispose this appliance with household waste; old ovens shall be disposed to special waste centers provided by the municipalities.
14. When the microwave oven is used in grill function, a small amount of smoke and odor may occur which will disappear after a certain time of usage.

5.2 Storage

- If you do not intend to use the appliance for a long time, please store it carefully.
- Please make sure that the appliance is unplugged, cooled down and totally dry.
- Store the appliance in a cool and dry place.
- Keep the appliance out of the reach of children

5.3 Handling and transportation

- During handling and transportation, carry the appliance in its original packaging. The packaging of the appliance protects it against physical damages.
- Do not place heavy loads on the appliance or the packaging. The appliance may be damaged.
- Dropping the appliance will render it non-operational or cause permanent damage..

6 Troubleshooting

Normal	
Microwave oven interferes with TV reception	Radio and TV reception may be interfered when microwave oven is operating. It is similar to the interference caused by small electrical appliances, like mixer, vacuum cleaner, and electric fan. It is normal.
Oven light is dimmed	In low power microwave cooking, oven light may be dimmed. It is normal.
Steam accumulating on door, hot air coming out of vents	During cooking, steam may arise from the food. Most of this steam will get out from vents. But some may accumulate on a cool place like oven door. It is normal.
Oven started accidentally with no food in it.	It is not allowed to run the appliance without any food inside. It is very dangerous.

Problem	Possible Reason	Solution
Oven cannot be started.	1) Power cable is not plugged in properly.	Unplug. Then plug again after 10 seconds.
	2) Fuse is blown or circuit breaker is activated.	Replace fuse or reset circuit breaker (repaired by professional personnel of our company).
	3) Trouble with outlet.	Test the outlet with other electrical appliances.
Oven does not heat.	4) Door is not closed properly.	Close the door properly.
Glass turntable makes noise when microwave oven operates	5) Turntable and bottom of the oven is dirty.	Refer to "Cleaning and Maintenance" section to clean dirty parts.




Læs denne brugervejledning som det første!

Kære kunde

Tak, fordi du har valgt et Cylinda-produkt. Vi håber, du får det bedste ud af produktet, som er fremstillet med brug af moderne teknologi af høj kvalitet. Derfor anbefaler vi, at du læser brugervejledningen og alle andre medfølgende dokumenter grundigt, inden produktet tages i brug, og at du opbevarer brugervejledningen til fremtidig brug. Hvis du giver produktet videre til en anden, skal du huske også at give brugervejledningen videre. Følg alle advarsler og oplysninger i brugervejledningen.

Symbolernes betydning

Følgende symboler bruges i brugervejledningens forskellige afsnit:

	Vigtige oplysninger og nyttige brugsråd.
	Advarsler om farlige situationer vedrørende sikkerhed for personer og ejendele.
	Advarsel om varme overflader.



Dette produkt er fremstillet i miljøvenlige, moderne produktionsanlæg uden nogen form for negativ påvirkning på naturen.

Dette apparat overholder WEEE-direktivet.



Det indeholder ikke PCB.

1 Vigtige anvisninger vedrørende sikkerhed og miljø

Vigtige Sikkerhedsanvisninger. Læs dem omhyggeligt, og opbevar dem til fremtidig brug

Dette afsnit indeholder sikkerhedsanvisninger om beskyttelse mod brandfare, elektrisk stød, læk af stråling fra mikrobølgeovnen, personskade og materielskade. Hvis disse anvisninger ikke følges, er en eventuel garanti ugyldig.

1.1 Generel sikkerhed

- Mikrobølgeovnen er beregnet til opvarmning af fødevarer og drikkevarer. Tørring af mad eller tøj og opvarmning af puder, hjemmesko, svampe, fugtige klude og lignende kan medføre risiko for skade, antændelse eller brand.

Apparatet er kun beregnet til husholdningsbrug og lignende anvendelser, som for eksempel:

- i personalekøkkener i butikker, på kontorer og andre arbejdspladser,
- på gårde
- af gæster på hoteller, moteller og lignende servicevirksomheder,
- i hjem med bed and breakfast.

- Forsøg ikke at tænde ovnen, mens døren står åben, da du i så tilfælde kan blive udsat for skadelig mikrobølgeenergi. Sikkerhedslåsene må ikke slås fra eller pilles ved.
- Placer ikke genstande mellem forsiden af ovnen og ovnens dør. Lad ikke snavs eller rester af rengøringsmiddel samle sig på lukkefladerne.
- Enhver form for servicearbejde, der involverer, at det er nødvendigt at fjerne det dæksel, der beskytter mod udsættelse for mikrobølgeenergi, skal udføres af autoriserede personer eller servicecentre. Enhver anden fremgangsmåde er farlig.
- Produktet er beregnet til tilberedning, opvarmning og optøning af fødevarer i hjemmet. Det må ikke anvendes til kommercielle formål. Producenten kan ikke holdes ansvarlig for skader, der er opstået ved forkert brug.
- Brug ikke apparatet udendørs, på badeværelset, i fugtige omgivelser eller på steder, hvor der er risiko for, det kan blive vådt.

1 Vigtige anvisninger vedrørende sikkerhed og miljø

- Hvis der opstår skader som følge af forkert brug eller håndtering af apparatet, bortfalder producentens ansvar og eventuelle garantikrav.
- Forsøg aldrig at skille apparatet ad. Garantikrav accepteres ikke i tilfælde af skader forårsaget af forkert håndtering.
- Brug kun originale dele eller dele anbefalet af producenten.
- Efterlad ikke apparatet uden opsyn, så længe det er i brug.
- Brug altid apparatet på en stabil, flad, ren, tør og skridsikker overflade.
- Apparatet må ikke betjenes med en ekstern timer eller et fjernbetjeningssystem.
- Før du bruger apparatet første gang, skal alle dele rengøres. Se detaljer i afsnittet "Rengøring og vedligeholdelse".
- Brug kun dette apparat til den tilsigtede brug beskrevet i denne vejledning. Undlad at bruge slibende rengøringsmidler eller damp til apparatet. Denne ovn er specifikt beregnet til opvarmning og tilberedning af fødevarer.
- Den er ikke beregnet til industriel brug eller laboratoriebrug.
- Brug ikke apparatet til at tørre tøj eller viskestykker.
- Apparatet bliver meget varmt, når det er i brug. Vær opmærksom på ikke at røre de varme dele i ovnen.
- Ovnens er ikke beregnet til tørring af levende væsner.
- Tænd ikke ovnen, når den er tom.
- Brug kun spiseredskaber der er egnet til brug i mikrobølgeovn.
- spiseredskaberne kan blive meget varme på grund af varmen, der overføres fra maden. Brug eventuelt ovnhandsker, når du rører ved spiseredskaberne.
- Kontrollér, om dine spiseredskaber egner sig til brug i mikrobølgeovn.
- Undlad at placere ovnen ovenpå komfurer eller andre varmeproducerende apparater. Det kan beskadige ovnen, og i så tilfælde frafalder garantien.
- Mikrobølgeovnen må ikke placeres i et skab, der ikke er i overensstemmelse med anvisningerne i monteringsvejledningen.
- Der kan forekomme damp, når du løfter låg eller fjerner folie efter tilberedning af maden.
- Brug ovnhandsker, når du tager varm mad ud af ovnen.

1 Vigtige anvisninger vedrørende sikkerhed og miljø

- Apparatet og dets tilgængelige overflader kan være meget varme, når apparatet er i brug.
- Døren og det udvendige glas kan være meget varme, når apparatet er i brug.

1.1.1 Elektrisk sikkerhed

- Hvis netledningen er beskadiget, skal den udskiftes af producenten eller dennes serviceagent eller en lignende kvalificeret fagperson for at undgå potentiel fare.
- Cylinda-mikrobølgeovne overholder gældende sikkerhedsstandarder. I tilfælde af eventuelle skader på apparatet eller strømkablet skal det derfor repareres eller udskiftes af forhandleren, et servicecenter eller lignende specialiseret og autoriseret serviceudbyder for at undgå enhver fare. Forkert eller ukvalificeret reparation kan forårsage skader og risici for brugeren.
- Sørg for, at strømforsyningen overholder værdierne, der er angivet på apparatets typeplade.
- Den eneste måde at afbryde apparatet fra strømforsyningen på er at trække stikket ud af stikkontakten.
- Brug kun apparatet med en stikkontakt med jordforbindelse.
- Brug aldrig apparatet, hvis det eller strømkablet er beskadiget.
- Brug ikke apparatet med en forlængerledning.
- Berør aldrig apparatet eller dets stik med fugtige eller våde hænder.
- Placer apparatet således, at stikket altid er tilgængeligt.
- For at undgå skade på strømkablet skal du undlade at klemme, bøje eller gnide det mod skarpe kanter. Hold strømkablet væk fra varme overflader og åben ild.
- Sørg for, at der ikke er fare for, at strømkablet ved et uheld kan trækkes ud, eller at nogen kan snuble over det, mens apparatet er i brug.
- Træk apparatets stik ud af stikkontakten før hver rengøring, og når apparatet ikke er i brug.
- Træk ikke i strømkablet for at afbryde apparatet fra strømforsyningen, og vikl aldrig strømkablet rundt om apparatet.
- Undlad at lægge apparatet, strømkablet eller strømstikket i vand eller andre væsker. Hold det ikke under rindende vand.

1 Vigtige anvisninger vedrørende sikkerhed og miljø

- Når maden opvarmes i plast- eller papirbeholdere, skal du holde øje med ovnen på grund af muligheden for, at beholderen bryder i brand.
- Fjern metaltråde og/eller metalhåndtag fra papir- eller plastikposer, før du placerer poser egnede til brug i mikrobølgeovn i ovnen.
- Hvis det begynder at ryge, skal apparatet slukkes, eller stikket skal tages ud. Døren skal holdes lukket for at kvæle eventuelle flammer.
- Brug ikke ovnen til at opbevare ting i. Efterlad ikke papirvarer, køkkenredskaber eller mad i ovnen, når den ikke er i brug.
- Omrør eller ryst indholdet i sutteflasker og glas med babymad, og kontrollér temperaturen, før du giver det til dit barn, for at undgå forbrændinger.
- Dette produkt er et gruppe 2 klasse B ISM-udstyr. Gruppe 2 omfatter alt ISM-udstyr (Industrial, Scientific, Medical), hvori radiofrekvensenergi bevidst genereres og/eller anvendes i form af elektromagnetisk stråling til behandling af materiale, og gnisterosion udstyr.
- Klasse B-udstyr er egnet til brug i private hjem og virksomheder, der er direkte forbundet til en strømforsyning med lav spænding.
- Apparatets dør eller ydre overflader kan blive varme, når apparatet er i brug.

1.1.2 Produktsikkerhed

- Opvarmning af drikkevarer med mikrobølger kan få dem til at koge og sprøjte, efter at de er taget ud af ovnen, så vær forsigtig, når du holder beholdere med varm mad i hænderne.
- Undlad at stege noget i ovnen. Varm olie kan beskadige komponenter og materialer i ovnen, og den kan endda forårsage forbrændinger.
- Prik huller i fødevarer med tyk skorpe, såsom kartofler, courgetter, æbler og kastanjer.
- Apparatet skal placeres, så bagsiden vender mod væggen.
- Før du flytter apparatet, skal du sørge for, at drejetallerkenen er sikkert placeret, for at forhindre skader på den.

1 Vigtige anvisninger vedrørende sikkerhed og miljø

- Æg med skal eller hele hårdkogte æg må ikke opvarmes i mikrobølgeovnen, da de kan eksplodere, selv når mikrobølgeovnen ikke er tændt.
- Fjern aldrig delene på apparatets bagside og sider, da de bibeholder minimumsafstandene mellem skabsvæggene og apparatet, så der opnås den nødvendige luftcirkulation.
- **ADVARSEL:** Det er farligt for alle andre end en kvalificeret fagperson at udføre nogen form for service eller reparation, der omfatter at fjerne et dæksel, der beskytter mod udsættelse for mikrobølgeenergi.
- **ADVARSEL:** Væsker og andre fødevarer må ikke opvarmes i forseglede beholdere, da det er sandsynligt, at de eksploderer.

1.2 Tilsigtet brug

- Ovnens skal rengøres jævnlige, og eventuelle madrester fjernes.
- Hvis ovnen ikke vedligeholdes og rengøres, kan det medføre nedbrydning af overfladen, hvilket kan forkorte ovnens levetid og udgøre en potentiel sikkerhedsrisiko.
- Rengøring af dørens tætninger og tilstødende dele: Brug varmt vand med rengøringsmiddel. Rengør med et viskestykke, og skrub ikke. Brug ikke en metal- eller glasskraber til rengøringen.
- **ADVARSEL:** Hvis døren eller dørens tætninger er beskadigede, må ovnen ikke bruges, før den er blevet repareret af en kvalificeret fagperson.
- Mikrobølgeovnen er udelukkende beregnet til indbygget brug.
- Brug ikke apparatet til andet end den tilsigtede brug.
- Brug ikke apparatet som varmekilde.
- Mikrobølgeovnen er kun beregnet til at optø, koge og småkoge fødevarer.
- Fødevarer må ikke tilberedes for længe, da det kan medføre brand.
- Brug ikke dampforstærket rengøringsudstyr til at rengøre apparatet.

1 Vigtige anvisninger vedrørende sikkerhed og miljø

1.3 Sikkerhed for børn

- Dette apparat kan bruges af børn i alderen 8 år eller derover, og af personer, der har begrænset fysisk, sensorisk eller mental kapacitet.
- Dette apparat kan bruges af børn i alderen 8 år eller derover, og af personer, der har begrænset fysisk, sensorisk eller mental kapacitet, eller som mangler viden og erfaring, så længe de er under opsyn med henblik på sikker brug af produktet eller de instrueres i overensstemmelse hermed eller forstår risiciene ved at bruge produktet. Børn må ikke lege med apparatet. Rengøring og brugervejledning bør ikke udføres af børn, medmindre de er under opsyn af voksne.
- Fare for kvælning! Hold al emballage væk fra børn.
- Lad kun børn bruge ovnen uden opsyn, når tilstrækkelige anvisninger er givet, så barnet er i stand til at bruge mikrobølgeovnen på en sikker måde og forstår risikoen ved forkert brug.
- På grund af den høje varme, der opstår i grill- og kombinationsfunktionerne, må børn kun bruge disse funktioner under opsyn af en voksen.
- Hold produktet og strømkablet uden for rækkevidde af børn under 8 år.
- Apparatet og dets tilgængelige overflader kan være meget varme, når apparatet er i brug. Hold børn væk.
- Apparatet er ikke beregnet til brug af personer (herunder børn), som har nedsatte fysiske, sensoriske eller mentale evner, eller som mangler erfaring og viden, medmindre de er under opsyn eller vejledes om apparatets brug af en person, der er ansvarlig for deres sikkerhed.
- Mindre børn skal holdes under opsyn for at sikre, at de ikke leger med apparatet.
- **ADVARSEL:** Lad kun børn bruge ovnen uden opsyn, når tilstrækkelige anvisninger er givet, så barnet er i stand til at bruge mikrobølgeovnen på en sikker måde og forstår risikoen ved forkert brug.

1 Vigtige anvisninger vedrørende sikkerhed og miljø

1.4 Overholdelse af WEEE-direktivet og affaldshåndtering:

Dette produkt overholder EU's WEEE-direktiv (2012/19/EU). Dette produkt er mærket med piktogrammet for elektrisk og elektronisk skrot (WEEE).



Dette symbol indikerer, at dette produkt ikke må bortskaffes sammen med almindeligt husholdningsaffald, når slutningen på dets levetid er nået. Brugte apparater skal indleveres på en

offentlig genbrugsplads til elektriske og elektroniske apparater. Kontakt din kommune eller forhandleren af produktet for at finde ud af, hvor disse genbrugspladser ligger. Alle husholdninger spiller en vigtig rolle i forhold til genanvendelse og genbrug af gamle produkter. Korrekt bortskaffelse af brugte apparater hjælper med at beskytte mod potentielt negative konsekvenser for miljøet og mennesker.

1.5 Overholdelse af RoHS-direktivet

Det produkt, du har købt, overholder EU's RoHS-direktiv (2011/65/EU). Produktet indeholder ikke skadelige og forbudte materialer som angivet i direktivet.

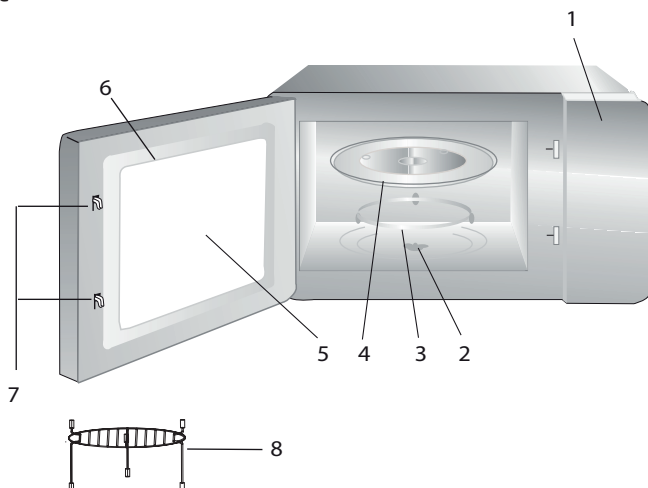
1.6 Information om emballagen



Produktets emballage er fremstillet fra genbrugsmaterialer i overensstemmelse med nationale miljølove. Smid ikke emballagen ud sammen med husholdningsaffald eller andet affald. Aflever det på en genbrugsstation, der tager imod emballage, anvist af dine lokale myndigheder.

2 Din mikrobølgeovn

2.1 Oversigt



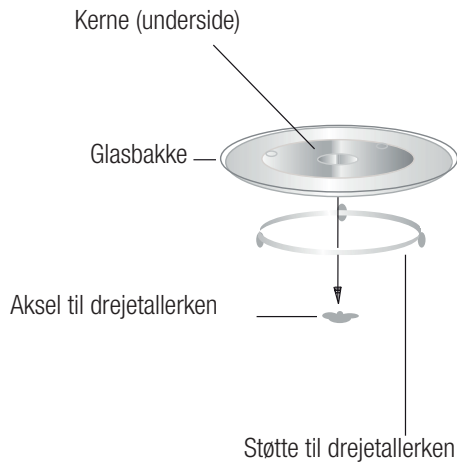
1. Betjeningspanel
2. Aksel til drejetallerken
3. Støtte til drejetallerken
4. Glasbakke
5. Ovnvindue
6. Dørgruppe
7. Dørens sikkerhedslåsesystem
8. Grillrist (må kun bruges med grillfunktion og skal placeres på glasbakken)

2.2 Tekniske data

Strømforbrug	230 V~50 Hz, 1450 W (mikrobølge) 1000 W (grill)
Udgangseffekt	900 W
Drifts-frekvens	2450 MHz
Strømstyrke	6,4 A
Udvendige mål	388 mm (H)/595 mm (B)/400 mm (D)
Ovnens indvendige mål	206 mm (H)/328 mm (B)/368 mm (D)
Ovnens kapacitet	25 liter
Nettovægt	18,5 kg

Markeringer på produktet eller værdierne i andre dokumenter, der følger med produktet, er værdier opnået under laboratorieforhold efter relevante standarder. Sådanne værdier kan variere afhængigt af brugen af apparatet og de omgivende betingelser. Effektværdier er testet ved 230 V.

2.3 Montering af drejetallerken



- Placer aldrig glasbakken på hovedet. Glasbakke skal altid kunne bevæge sig frit.
- Både glasbakken og støtten til drejetallerkenen skal altid bruges ved tilberedning.
- Alle fødevarer og fødevarebeholdere skal altid placeres på glasbakken under tilberedningen.
- Hvis glasbakken eller drejetallerkenen revner eller går itu, skal du kontakte det nærmeste autoriserede servicecenter.

3 Montering og tilslutning

3.1. Montering og tilslutning

- Fjern alt indpakningsmateriale og tilbehør. Undersøg, om ovnen har nogen skader såsom buler eller en beskadiget dør. Monter ikke ovnen, hvis den er beskadiget.
- Fjern al beskyttelsesfilm, der findes på overfladen af mikrobølgeovens kabinet.
- Ikke fjern det lysbrune Mica-låg, der er monteret på ovnåbningen for at beskytte magnetronen.
- Dette apparat er udelukkende beregnet til brug i hjemmet.
- Denne ovn er udelukkende beregnet til indbygget brug. Den er ikke beregnet til fritstående brug eller til brug i et skab.
- Følg de særlige monteringsanvisninger.
- Apparatet kan monteres i et 60 cm bredt vægmonteret skab (mindst 50 cm dybt og 85 cm over gulvhøjde).
- Apparatet monteres med et stik og må kun sluttes til en korrekt monteret stikkontakt med jordforbindelse.
- Netspændingen skal svare til den spænding, der er angivet på typepladen.
- Hvis stikket ikke længere er tilgængeligt efter monteringen, skal der findes en ledningsadskiller til samtlige poler på monterings siden med et kontaktmellemrum på mindst 3 mm.
- Der må ikke benyttes adaptere, multistikdåser eller forlængerledninger. Overbelastning kan medføre brandrisiko.



Den tilgængelige overflade kan være varm under brug.

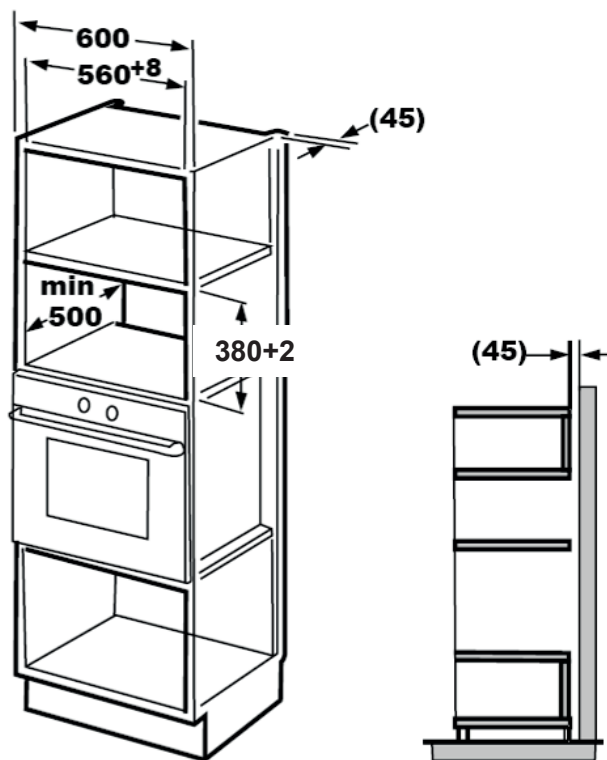


Strømkablet må ikke klemmes eller bøjes.

3 Montering og tilslutning

3.2 Indbygget montering

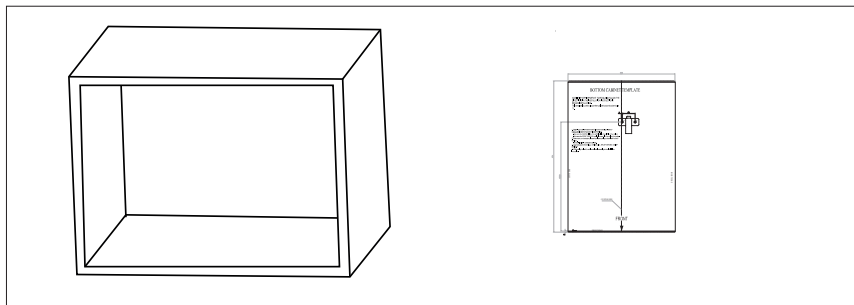
3.2.1 Møblernes dimensioner ved indbygget montering



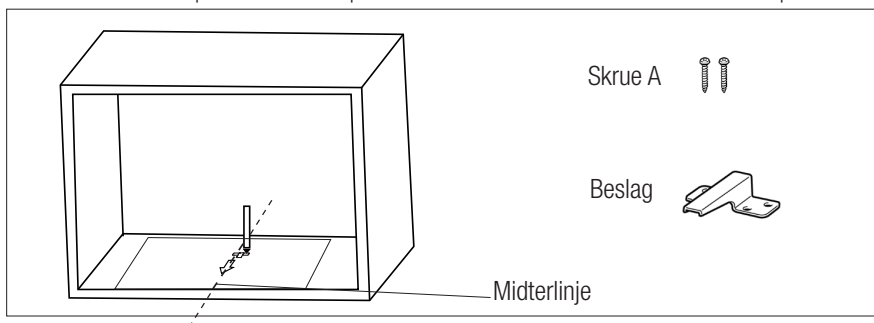
3 Montering og tilslutning

3.2.2 Klargøring af skabet

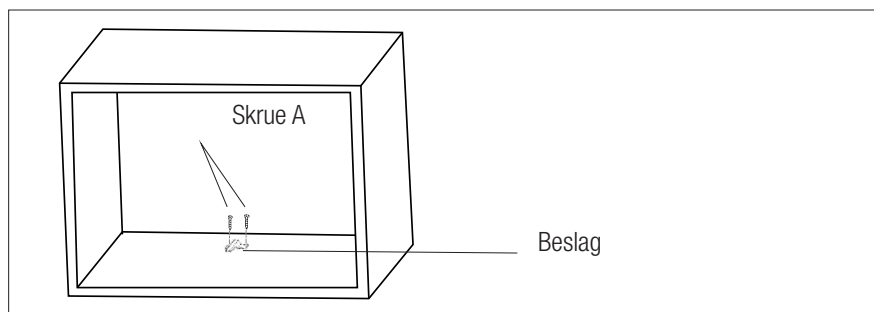
1. Læs anvisningerne på bunden af skabelonen til skabets bund, og placer skabelonen på skabets bundplade.



2. Markér mærkerne på skabets bundplade i overensstemmelse med mærkerne "a" på skabelonen.



3. Fjern skabelonen til skabets bund, og fastgør beslaget med skruer A.

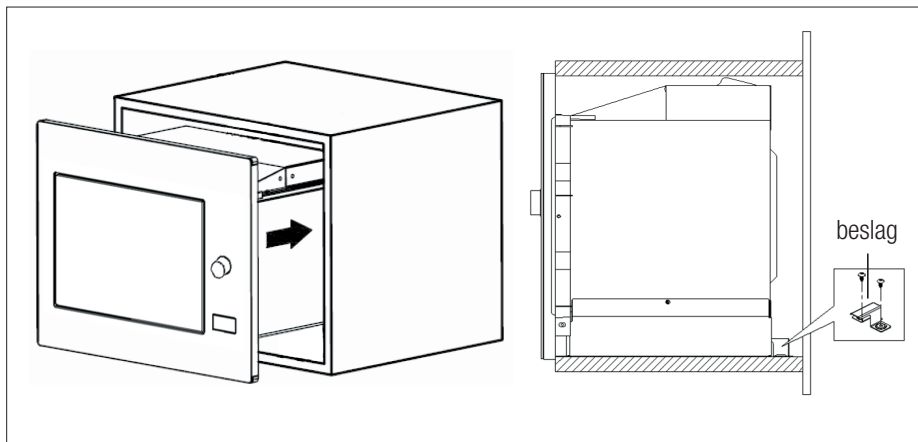


3 Montering og tilslutning

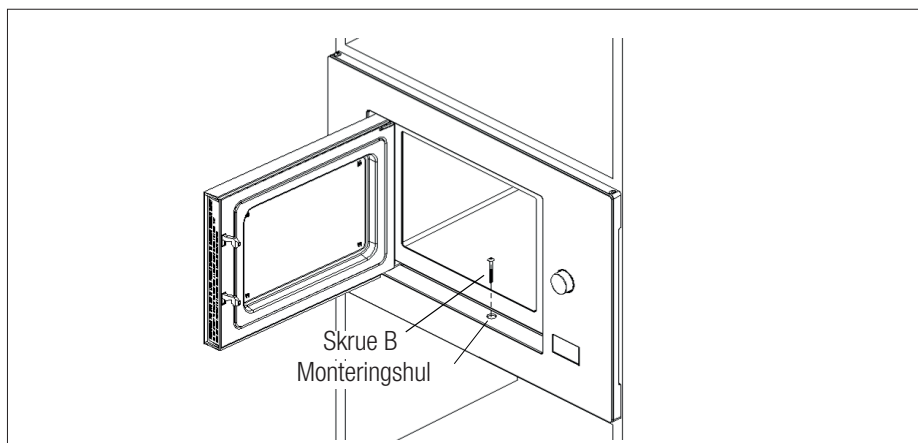
3.2.3 Fastgørelse af ovnen

1. Monter ovnen i skabet

- Sørg for, at ovnens bagside er fastgjort med beslaget.
- Strømkablet må ikke klemmes eller bøjes.



2. Åbn døren, fastgør ovnen i skabet med skrue B gennem monteringshullet.



3 Montering og tilslutning

3.3 Radiointerferens



Betjening af mikrobølgeovnen kan forårsage interferens på radioer, fjernsyn og lignende apparater.

- Placer ovnen så langt væk fra radio- og tv-apparater som muligt. Betjeningen af mikrobølgeovnen kan medføre forstyrrelser i din radio- eller tv-modtagelse. 2. Tilslut ovnen til en standardstikkontakt. Sørg for, at spændingen og frekvensen er den samme som spændingen og frekvensen på typepladen.
- I tilfælde af interferens, kan det reduceres eller elimineres ved at tage følgende forholdsregler:
- Rengør ovnens dør og tætninger.
- Indstil radioen eller tv-antennenretningen igen.
- Placer ovnen på ny baseret på modtagerens placering.
- Anbring mikrobølgeovnen væk fra modtageren.
- Tilslut mikrobølgeovnen til en anden stikkontakt, hvor mikrobølgeovnen og modtageren bruger forskellige linjer.

3.4 Principper for madlavning med mikrobølger

- Klargør fødevarerne omhyggeligt. Placer de resterende dele yderst på tallerkenen.
- Hold øje med tilberedningstiden. Kog på den kortest angivne tid, og tilføj lidt mere tid, hvis det kræves. Fødevarer, der tilberedes for længe, kan begynde at ryge eller brænde på.
- Tildæk maden under tilberedningen. Tildækning af maden forhindrer sprøjt og hjælper med at sikre, at maden varmes jævnt.
- Vend fødevarer, såsom fjerkræ og hamburgere, mens de tilberedes i mikrobølgeovnen, for at fremskynde tilberedningen. Større retter, som f.eks. steg, skal vendes mindst én gang.

- Vend fødevarer, såsom frikadeller, midt under tilberedningen, og flyt dem rundt på tallerkenen (flyt dem i midten yderst og vice versa).

3.5 Anvisninger til jordforbindelse

Apparatet skal jordforbindes. Denne ovn har et jordkabel med et jordstik. Apparatet skal tilsluttes en stikkontakt, der er monteret og jordet korrekt. Jordforbindelsen giver den elektriske strøm et afledningskabel i tilfælde af kortslutning og reducerer risikoen for elektrisk stød. Vi anbefaler at bruge et elektrisk kredsløb udelukkende dedikeret til ovnen. Betjening med høj spænding er farlig og kan forårsage brand eller andre ulykker, som kan beskadige ovnen.



ADVARSEL: Forkert brug af jordstik kan forårsage elektrisk stød.



Hvis du har spørgsmål om jording og el-vejledning, skal du kontakte en kvalificeret elektriker eller servicepersonale.



Producent og/eller forhandler er ikke ansvarlig for personskader eller skader på ovnen, der opstår som følge af, at procedurerne for elektriske tilslutning ikke er fulgt.

3.6 Test af spiseredskaber

Brug aldrig mikrobølgeovnen, når den er tom. Den eneste undtagelse er ved test af spiseredskaber, som beskrives i følgende afsnit. Visse typer spiseredskaber, som ikke er af metal, er muligvis uegnet til brug i mikrobølgeovn. Hvis du ikke er sikker på, om dine spiseredskaber er egnet til mikrobølgeovn, kan du gennemføre følgende test.

3 Montering og tilslutning

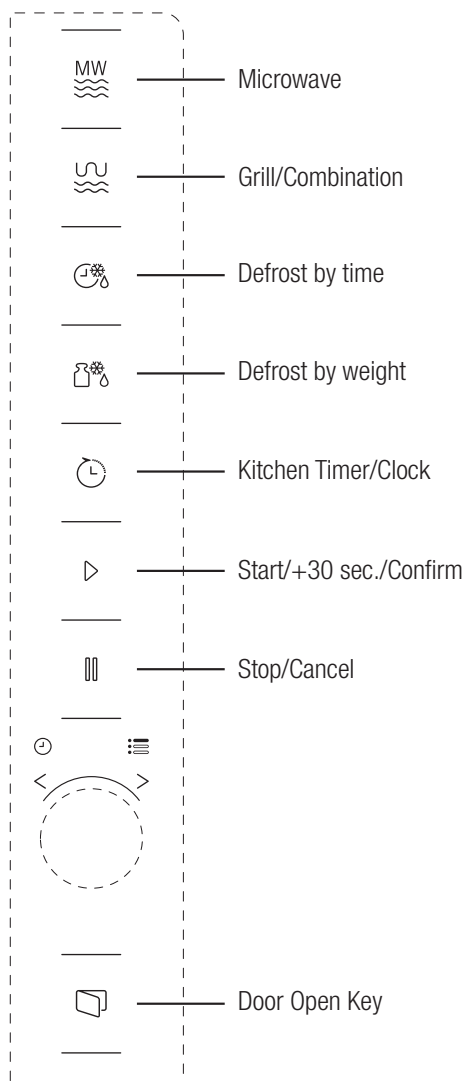
1. Placer de tomme spiseredskaber, der skal testes, i ovnen sammen med et mikrobølgeovnsegnet glas, der er fyldt med 250 ml vand.
2. Tænd mikroovnen ved maksimal effekt i 1 minut.
3. Kontrollér omhyggeligt temperaturen på det testede spiseredskaber. Hvis det er varmt, er det ikke egnet til brug i mikrobølgeovn.
4. Lad aldrig ovnen køre længere end grænsen på 1 minut. Hvis du bemærker, at spiseredskaberne begynder at bøje i løbet af 1 minut, skal du slukke mikrobølgeovnen. Spiseredskaber, der begynder at bøje, er ikke egnet til brug i mikrobølgeovn.

Følgende liste er en generel vejledning, der hjælper dig med at vælge de rigtige spiseredskaber.

Spiseredskaber	Mikrobølge	Grill	Kombination
Varmeresistent glas	Ja	Ja	Ja
Ikke-varmeresistent glas	Nej	Nej	Nej
Varmeresistent porcelæn	Ja	Ja	Ja
Plastskål egnet til mikrobølgeovn	Ja	Nej	Nej
Køkkenudstyr af papir	Ja	Nej	Nej
Metalbakke	Nej	Ja	Nej
Metalstativ	Nej	Ja	Nej
Aluminiumsfolie og folier	Nej	Ja	Nej
Skummaterialer	Nej	Nej	Nej

4 Betjening

4.1 Betjeningspanel



4.2. Brugsanvisninger

4.2.1 Indstilling af tiden

Når mikrobølgeovnen er tændt, står der "0:00" på LED-skærmen, og alarmeren ringer én gang.

1. Tryk på "Køkkentimer/ur" to gange, så begynder timetallet at blinke.
2. Drej på for at justere antallet af timer. Den angivne tid skal være mellem 0 og 23.
3. Tryk på "Køkkentimer/ur", så begynder minuttallene at blinke.
4. Drej på for at justere minutterne. Den angivne tid skal være mellem 0 og 59.
5. Tryk på "Køkkentimer/ur" for at afslutte indstillingen af tiden. Symbolet ":" blinker, og tiden begynder at lyse.



Hvis du trykker på "Stop/annulter" under tidsindstillingen, vender ovnen automatisk tilbage til den foregående tilstand.

4.2.2 Madlavning med mikrobølgeovn

1. Tryk på "Mikrobølge", så vises "P10" på LED-skærmen.
2. Tryk på "Mikrobølge" igen, eller drej på for at vælge den ønskede effekt. Hver gang du trykker på tasten, vises henholdsvis "P10", "P8", "P5", "P3" eller "P1".
3. Tryk på "Start/+30 sek./bekræft" for at bekræfte, og drej på for at indstille tilberedningstiden til et interval mellem 0:05 og 95:00.

4 Betjening

4. Tryk på "Start/+30 sek./bekræft" igen for at begynde tilberedningen.



Eksempel: Hvis du vil bruge 80 % mikrobølgeenergi til tilberedning i 20 minutter, kan du benytte følgende fremgangsmåde på ovnen.

5. Tryk på "Mikrobølge", så vises "P100" på LED-skærmen.

6. Tryk på "Mikrobølge" igen, eller drej på for at vælge 80 % mikrobølgeenergi.

7. Tryk på "Start/+30 sek./bekræft" for at bekræfte, så vises "P80" på skærmen.

8. Drej på for at justere tilberedningstiden, indtil ovnen viser "20:00".

9. Tryk på "Start/+30 sek./bekræft" for at begynde tilberedningen.

Benyt nedenstående fremgangsmåde for at justere tiden med kodeknappen:

Indstilling af varigheden	Stigning
0-1 minut	5 sekunder
1-5 minutter	10 sekunder
5-10 minutter	30 sekunder
10-30 minutter	1 minut
30-95 minutter	5 minutter

4.2.3 Anvisninger til mikrobølgeovnens tastatur

Rækkefølge	Skærm	Mikrobølgeenergi
1	P10	100 %
2	P8	80 %
3	P5	50 %
4	P3	30 %
5	P1	10 %

4.3 Madlavning med grill- eller kombinationsfunktion

1. Tryk på "Grill/kombination", så vises "G" på LED-skærmen. Tryk på "Grill/kombination" flere gange, eller drej på for at vælge den ønskede effekt. Hver gang du trykker på tasten "G", vises henholdsvis "G", "C-2" eller "C-2".

2. Tryk på "Start/+30 sek./bekræft" for at bekræfte, og drej på for at indstille tilberedningstiden til et interval mellem 0:05 og 95:00.

3. Tryk på "Start/+30 sek./bekræft" igen for at begynde tilberedningen.




Eksempel: Hvis du vil bruge 55 % mikrobølgeenergi og 45 % grill-effekt (C-1) til tilberedning i 10 minutter, kan du benytte følgende fremgangsmåde på ovnen.

1. Tryk på "Grill/kombination" én gang, så vises "G" på skærmen.

2. Tryk på "Grill/kombination" igen én gang, eller drej på for at vælge funktionen Kombination 1.

4 Betjening

- Tryk på "Start/+30 sek./bekræft" for at bekræfte, så vises "C-1" på skærmen.
- Drej på  for at justere tilberedningstiden, indtil ovnen viser "10:00".
- Tryk på "Start/+30 sek./bekræft" for at begynde tilberedningen.

4.3.1 Anvisninger til tastatur (grill/kombination)


Rækkefølge	Skærm	Mikrobølge energi	Grill Strøm
1	G	0 %	100 %
2	C-1	55 %	45 %
3	C-2	36 %	64 %



Når halvdelen af grilltiden er gået, afgiver ovnen en lydalarm to gange, hvilket er normalt. For at opnå en bedre grilleffekt bør du vende madden, lukke døren og derefter trykke på "Start/+30 sek./bekræft" for at fortsætte tilberedningen. Hvis du ikke vælger noget, fortsætter oven tilberedningen.

4.4 Hurtig start


- Når ovnen er i standbytilstand, skal du trykke på "Start/+30 sek./bekræft" for at starte tilberedning med 100 % mikrobølgeenergi. Hver gang du trykker på tasten, øges tilberedningstiden med 30 sekunder op til 95 minutter.
- Ved brug af tidsfunktionen til tilberedning med mikroovn, grill- og kombinationsfunktionen eller optøning øges tilberedningstiden med 30 sekunder, hver gang du trykker på "Start/+30 sek./bekræft".

- I standbytilstand skal du dreje  mod urets retning for at indstille tilberedningstiden for tilberedning ved 100 % mikrobølgeenergi. Tryk på "Start/+30 sek./bekræft" for at starte tilberedningen.




Når funktionerne automatisk menu og optøning efter vægt er valgt, øges tilberedningstiden ikke, når du trykker på "Start/+30 sek./bekræft".

4.5 Optøning efter vægt


- Tryk på "Optøning efter vægt" én gang.
- Drej på  for at vælge madens vægt mellem 100 og 2000 g.
- Tryk på "Start/+30 sek./bekræft" for at begynde optøningen.

4.6 Optøning efter tid

- Tryk på "Optøning efter tid" én gang.
- Drej på  for at vælge optøningstiden. Den længste varighed er 95 minutter.
- Tryk på "Start/+30 sek./bekræft" for at begynde optøningen. Optøningseffekten er P30 og kan ikke ændres.

4.7 Køkkentimer (tæller)

Ovnen er forsynet med en automatisk tæller, der ikke er knyttet til ovnens funktioner og kan bruges i køkkenet separat (den kan indstilles til maks. 95 minutter).

- Tryk på "Køkkentimer/ur" én gang, så vises 00:00 på LED-skærmen.
- Drej på  for at angive det korrekte klokkeslæt.

4 Betjening

3. Tryk på "Start/+30 sek./bekræft" for at bekræfte indstillingen.


4. Når nedtællingen fra den angivne tid når til 00:00, lyder alarmen 5 gange. Hvis tiden er indstillet (24-timerssystemet), viser LED-skærmen, hvad klokken er.

Tryk på "Stop/annuller" når som helst for at afbryde timeren.




Køkkentimeren fungerer anderledes end 24-timerssystemet. Køkkentimeren er bare en timer.

4.8 Automatisk menu

1. Drej  med uret for at vælge den ønskede menu. Der vises menuer fra "A-1" til "A-8", som er pizza, kød, grønsager, pasta, kartoffel, fisk, drikkevare og popcorn.

2. Tryk på "Start/+30 sek./bekræft" for at bekræfte indstillingen.

3. Drej på  for at vælge standardvægten i overensstemmelse med menudiagrammet.


4. Tryk på "Start/+30 sek./bekræft" for at begynde tilberedningen.



Eksempel: Gør følgende, hvis du vil bruge "Automatisk menu" til tilberedning af 350 g fisk:

1. Drej  med uret, indtil "A-6" vises på skærmen.

2. Tryk på "Start/+30 sek./bekræft" for at bekræfte indstillingen.

3. Drej på  for at vælge fiskens vægt, indtil der vises "350" på skærmen.

4. Tryk på "Start/+30 sek./bekræft" for at begynde tilberedningen.

4 Betjening

4.8.1 Menu for automatisk tilberedning





Menu	Vægt	Skærm
A-1 Pizza	200 g	200
	400 g	400
A-2 Kød	250 g	250
	350 g	350
	450 g	450
A-3 Grønsager	200 g	200
	300 g	300
	400 g	400
A-4 Pasta	50 g (med 450 ml koldt vand)	50
	100 g (med 800 ml koldt vand)	100
A-5 Kartoffel	200 g	200
	400 g	400
	600 g	600
A-6 Fisk	250 g	250
	350 g	350
	450 g	450
A-7 Drikkevare	1 glas (120 ml)	1
	2 glas (240 ml)	2
	3 glas (360 ml)	3
A-8 Popcorn	50 g	50
	100 g	100

4.9 Madlavning i flere trin

Der kan højst angives to tilberedningstrin. Hvis der i forbindelse med madlavning i flere trin indgår optøning, skal optøning være det første trin.



Hvis du vil tømme op i 5 minutter og derefter tilberede maden ved 80 % mikrobølgeenergi i 7 minutter, skal du benytte følgende fremgangsmåde:


1. Tryk på "Optøning efter tid" én gang.
2. Drej på  for at vælge optøningstiden, indtil der vises "5:00" på skærmen.
3. Tryk på "Mikrobølge", så vises "P100" på LED-skærmen.
4. Tryk på "Mikrobølge" igen, eller drej på  for at vælge 80 % mikrobølgeenergi.
5. Tryk på  (Start/+30 sek./bekræft) for at bekræfte, så vises "P 80" på skærmen.
6. Drej på  for at justere tilberedningstiden, indtil ovnen viser "7:00".
7. Tryk på "Start/+30 sek./bekræft" for at begynde tilberedningen. Alarmen lyder én gang, når første trin påbegyndes, og nedtællingen for optøning begynder. Alarmen lyder igen, når det andet tilberedningstrin påbegyndes. Alarmen lyder fem gange, når tilberedningen er afsluttet.

4.10 Forespørgselsfunktion


1. Ved brug af mikrobølge-, grill- og kombinationsfunktioner skal du trykke på "Mikrobølge" eller "Grill/kombination" for at få vist det aktuelle energiniveau i 3 sekunder. Efter 3 sekunder vender ovnen tilbage til den foregående tilstand.

2. Under tilberedningen skal du trykke på "Køkkentimer/ur" for at få vist det aktuelle klokkeslæt i 3 sekunder.

4.11 Børnelås

1. **Aktivering af lås:** I standby-tilstand skal du trykke på "Stop/annuller" i 3 sekunder. Alarmen angiver, at børnelåsen er aktiveret. Hvis tiden allerede er indstillet, vises det aktuelle klokkeslæt også. Ellers vises  på LED-skærmen.
2. **Deaktivering af lås:** Deaktiver børnelåsen ved at trykke på "Stop/annuller" i 3 sekunder. Der lyder et langt "bip", som angiver, at børnelåsen er deaktiveret.

4.12 Åbning af ovndøren

- Tryk på  (Åbn dør), så åbnes ovndøren.

5.1 Rengøring



ADVARSEL: Brug aldrig benzin, opløsningsmidler, skurerengøringsmidler, metalgenstande eller hårde børster til at rengøre apparatet.



ADVARSEL: Apparatet og strømkablet må aldrig lægges i vand eller anden væske.

1. Sluk for maskinen, og træk stikket ud af stik-kontakten.
2. Lad apparatet køle helt ned.
3. Hold indersiden af ovnen ren. Tør med en fugtig klud, når der er sprøjtet mad eller spildt væske på væggene i ovnen. Et mildt vaskemiddel kan anvendes, hvis ovnen bliver meget beskidt. Undgå at bruge sprays og andre kraftige rengøringsmidler, da de kan forårsage pletter, mærker og uigennemsigtighed på dørens overflade.
4. Ovnens overflader skal rengøres med en fugtig klud. Lad ikke vand trænge ind fra ventilationsåbningerne for at undgå skader på driftsdele i ovnen.
5. Tør ofte begge sider af døren og glasset, dørpakninger og dele nær pakningerne med en fugtig klud for at fjerne pletter fra spildt eller stænket mad. Undlad at bruge slibende rengøringsmidler.
6. Lad ikke kontrolpanelet blive vådt. Rengør med en fugtig, blød klud. Lad ovndøren stå åben for at forhindre, at ovnen utilsigtet tændes, mens du rengør kontrolpanelet.
7. Hvis damp samles i eller omkring ovndøren, skal den aftørres med en blød klud. Dette kan forekomme, når mikrobølgeovnen betjenes under betingelser med høj fugtighed. Det er ganske normalt.
8. Sommetider kan det være nødvendigt at tage glasbakken ud for at rengøre den. Vask bakken med varmt opvaskevand eller i opvaskemaskine.
9. Rulleringen og ovnens indvendige bund skal rengøres regelmæssigt for at undgå støj. Det er tilstrækkeligt at aftørre overfladen i bunden af ovnen med et mildt rengøringsmiddel. Rulleringen kan vaskes i varmt opvaskevand eller i en opvaskemaskine. Når du tager rulleringen op fra bunden af ovnen i forbindelse med rengøring, skal du sørge for at placere den rigtigt, når du sætter den tilbage i ovnen igen.
10. Hvis du vil fjerne dårlig lugt i ovnen, skal du sætte et glas varmt vand samt en skål med saften og skallen fra en citron i ovnen og tænde ovnen i 5 minutter på mikrobølgefunktion. Aftør, og tør den grundigt af med en blød klud.
11. Kontakt det autoriserede servicecenter, når ovnlampen skal udskiftes.
12. Ovnens skal rengøres jævnlige, og eventuelle madrester skal fjernes. Hvis ovnen ikke holdes ren, kan det medføre defekter i overfladen, som påvirker apparatets levetid negativt, og det kan eventuelt medføre risici.
13. Bortskaf ikke dette apparat sammen med husholdningsaffald. Brugte ovne skal indleveres på genbrugsstationer, der stilles til rådighed af lokale myndigheder.
14. Når mikrobølgeovnen bruges med grillfunktion, kan der i mindre omfang forekomme røg og lugt, som forsvinder efter en vis tids brug.

5.2 Opbevaring

- Hvis du ikke skal bruge apparatet i en længere periode, skal det opbevares med omtanke.
- Sørg for, at apparatet ikke er sluttet til strøm, er kølet helt ned og er helt tørt.
- Opbevar apparatet på et tørt og køligt sted.
- Hold apparatet uden for børns rækkevidde.

5.3 Håndtering og transport

- Under håndtering og transport skal apparatet bæres i den originale emballage. Apparatets emballage beskytter det mod fysiske skader.
- Placer ikke tunge ting på apparatet eller emballagen. Apparatet kan blive beskadiget.
- Hvis apparatet tabes, vil det miste funktionsevne eller lide permanent skade.

6 Problemløsning

Normal	
Mikrobølgeovnen forstyrrer modtagelsen af tv-signal	Modtagelsen af radio- og tv-signal kan blive forstyrret, når mikrobølgeovnen er tændt. Det minder om de forstyrrelser, der opstår ved brug af mindre, elektriske apparater som f.eks. håndmiksere, støvsugere og elektriske blæsere. Det er ganske normalt.
Ovnlyset dæmpes	Ved tilberedning med lav mikrobølgeenergi kan ovnlyset blive dæmpet. Det er ganske normalt.
Damp samles på døren, og der kommer varm luft ud af ventilationskanalerne	Under tilberedningen kan der komme damp fra fødevarerne. Det meste af denne damp siver ud af ventilationskanalerne. En del af den kan dog samle sig på et køligt sted som f.eks. ovndøren. Det er ganske normalt.
Ovnen blev startet ved en fejl, uden der var mad i den.	Det er ikke tilladt at starte apparatet uden mad i. Det er meget farligt.

Problem	Mulig årsag	Løsning
Ovnen kan ikke startes.	1) Strømkablet er ikke sat korrekt i stikkontakten.	Tag den ud af stikkontakten. Sæt den i stikkontakten igen efter 10 sekunder.
	2) En sikring er sprunget, eller en kredsafbryder er aktiveret.	Udskift sikringen, eller nulstil kredsafbryderen (skal udføres af professionelt personale fra vores virksomhed).
	3) Problemer med stikkontakten.	Afprøv stikkontakten med andre elektriske apparater.
Ovnen varmer ikke.	4) Døren er ikke lukket ordentligt.	Luk døren ordentligt.
Drejetallerkenen afgiver støj, når mikrobølgeovnen er tændt	5) Drejetallerkenen og bunden af ovnen er snavsede.	Se afsnittet "Rengøring og vedligeholdelse" for oplysninger om rengøring af snavsede dele.

Vänligen läs denna bruksanvisning först!

Bästa kund,

Tack för att du köpt denna Cylinda-produkt. Vi hoppas att du blir nöjd med din produkt som har tillverkats i hög kvalitet och enligt den senaste tekniken. Läs därför hela bruksanvisningen och alla andra medföljande dokument noga innan du använder produkten och förvara dem som referens för framtida bruk. Om du överlämnar produkten till någon annan, ge även instruktionsboken. Följ alla varningar och informationen i bruksanvisningen.

Följ alla varningar och all information i bruksanvisningen.

Symbolernas betydelse

Följande symboler används i bruksanvisningens olika avsnitt:



Viktig information och användbara tips om användningen.



Varning för farliga situationer som rör skydd av liv och egendom.



Varning för varma ytor.



Denna produkt har tillverkats i miljövänliga moderna anläggningar utan att medföra någon skada på naturen.

Denna apparat överensstämmer med WEEE-bestämmelserna.



Den innehåller inte PCB.

Viktiga säkerhetsinstruktioner

Läs säkerhetsinstruktioner noggrant och spara för framtida bruk

Det här avsnittet innehåller säkerhetsinstruktioner som hjälper dig att undvika brand, elektriska stötar, exponering för läckande mikrovågsenergi, skador på person eller egendom. Om du inte följer dessa instruktioner gäller inte garantin.

1.1 Allmän säkerhet

- Mikrovågsugnen är avsedd för värmning av mat och dryck. Torkning av mat eller kläder och värmning av värmekuddar, tofflor, svampar, fuktiga trasor och liknande kan leda till personskador, risk för antändning eller brand.

Denna apparat är avsedd att användas i hushåll och liknande miljöer såsom:

- Personalutrymmen i butiker, kontor och andra arbetsmiljöer;
- Bondgårdar
- Av kunder på hotell, motell och andra typer av boendemiljöer;

- Miljöer såsom bed&breakfast.
- Försök inte att starta ugnen när luckan är öppen, annars kan du utsättas för skadlig mikrovågseenergi. Inaktivera eller manipulera inte säkerhetslås.
- Placera inga föremål mellan framsidan och ugnsluckan. Låt inte smuts eller rengöringsmedelsrester ansamlas på stängningsytor.
- Alla servicearbeten där locket, som ger skydd mot exponering för mikrovågsenergi, avlägsnas måste utföras av behöriga personer/servicetekniker. Alla andra tillvägagångssätt är farliga.
- Produkten är avsedd för matlagning, värmning och upptining av mat i hemmet. Den får inte användas för kommersiellt bruk. Tillverkaren ska inte hållas ansvarig för skador som har uppstått på grund av felaktig användning.
- Använd inte denna apparat utomhus, i badrum, fuktiga miljöer eller på platser där den kan bli våt.
- Det tas inget ansvar och man får inte göra anspråk på garantier för skador som uppkommer på grund av felaktig eller vårdslös hantering av enheten.

- Försök aldrig ta isär apparaten. Inga garantianspråk accepteras för skador orsakade av felaktig hantering.
- Använd endast originaltillbehör eller tillbehör som rekommenderas av tillverkaren.
- Lämna inte apparaten utan uppsikt när den är i bruk.
- Använd alltid apparaten på en stabil, plan, ren, torr och halkfri yta.
- Apparaten får inte användas med en extern timer eller ett separat fjärrkontrollsystem.
- Rengör alla delar innan du använder apparaten för första gången. Se informationen i avsnittet "Rengöring och skötsel".
- Använd denna apparat endast för dess avsedda syfte, enligt beskrivningen i den här bruksanvisningen. Använd inte några material med slipeffekt eller ånga. Den här ugnen är specifikt avsedd för värmning och tillagning av mat. Den är inte avsedd för industriell eller laboratorieanvändning.
- Använd inte apparaten för att torka kläder eller kökshanddukar.
- Apparaten blir mycket varm när den är i bruk. Se till att inte röra de heta delarna inne i ugnen.
- Ugnen är inte avsedd för att torka någon levande varelse.
- Använd aldrig ugnen när den är tom.
- Använd endast redskap som är lämpliga för användning i en mikrovågsugn.
- Redskap kan bli mycket heta eftersom värme överförs från den upphettade maten till redskapen. Du kanske behöver använda grytlappar för att hålla i redskapen.
- Redskap ska kontrolleras för att säkerställa att de kan användas i mikrovågsugnar.
- Placera inte ugnen på spisen eller andra värmealstrande apparater. Annars kan den skadas och garantin blir ogiltig.
- Mikrovågsugnen får inte placeras i skåp som inte uppfyller kraven i installationsanvisningarna.
- Ånga kan tränga ut när du öppnar lock eller tar bort folie från mat som har tillagats.
- Använd grytlappar när du tar ut värmd mat.
- Apparaten och dess tillgängliga ytor kan bli mycket heta när apparaten används.

- Lucka och ytterglas kan bli mycket heta när apparaten används.

1.1.1. Elsäkerhet

- Om strömsladden är skadad måste den bytas ut av tillverkaren, på servicestället eller av en dylik kvalificerad person så att det inte uppstår faror.
- Cylinda-mikrovågsugnar efterlever tillämpliga säkerhetsstandarder och därför ska apparaten eller strömkabeln om den skadas, bytas eller lagas av en återförsäljare, ett servicecenter, en expert eller auktoriserad service, för att undvika skada. Felaktigt eller obehörigt reparationsarbete kan orsaka fara och utsätta användaren för risker.
- Kontrollera att nätspänningen överensstämmer med uppgifterna på apparatens märkplåt.
Enda sättet att koppla bort apparaten från elnätet är att dra ut kontakten ur vägguttaget.
- Använd bara apparaten i ett jordat uttag.
- Använd aldrig apparaten om strömkabeln eller apparaten är skadad.
- Använd inte förlängningssladd ihop med apparaten.
- Rör aldrig apparaten eller dess kontakt med fuktiga eller våta händer.
- Placera apparaten på så sätt att kontakten alltid är tillgänglig.
- Förhindra skada på strömsladden, genom att inte klämma, böja eller skava den mot vassa kanter. Håll strömsladden borta från heta ytor och öppen eld.
- Se till att det inte finns någon risk för att strömsladden av misstag kan dras ut, eller att någon kan snubbla över den, när apparaten är i bruk.
- Koppla ur apparaten före rengöring och när apparaten inte används.
- Dra inte ur apparatens strömkabel för att koppla bort den från strömkällan och vira aldrig strömkabeln runt apparaten.
- Doppa inte apparaten, strömsladden eller kontakten i vatten eller någon annan vätska. Håll den inte under rinnande vatten.
- Vid värmning av mat i plast- eller pappersbehållare, ska du hålla ugnen under uppsikt för att undvika risk för antändning.

- Ta bort trådsträngar och/eller metallhandtag från pappers- eller plastbehållare innan du placerar behållare som passar för mikroångsugn i ugnen.
 - Om rök observeras, slå av eller koppla ur ugnen och håll luckan stängd för att kväva eventuella lågor.
 - Använd inte ugnens insida för någon typ av förvaring. Lämna inte pappersföremål, tillagningsmaterial eller mat i ugnen när den inte används.
 - Innehåll i nappflaskor och barnmatsburkar ska röras om eller skakas och temperaturen måste kontrolleras före förtäring, för att undvika brännskador.
 - Den här produkten är en grupp 2 klass B ISM-utrustning. Grupp 2 innefattar all ISM-utrustning (industriell, vetenskaplig och medicinsk) där radiofrekvensenergin avsiktligt alstras och/eller används i form av elektromagnetisk strålning för behandling av material och gnistbildningsutrustning.
 - Klass B-utrustningen är lämplig för användning i hemmiljöer och inrättningar i direkt anslutning till lågspänningsnätverk.
 - Luckan eller ytan på apparaten kan bli varm när den används.
- ## 1.1.2 Produktsäkerhet
- Vid uppvärmning av drycker i mikroångsugnen kan de börjar koka så att det skvätter omkring dem efter att de tagits ut ur ugnen, så var försiktig när du håller i behållarna.
 - Stek ingenting i ugnen. Uppvärmad olja kan skada komponenter och material i ugnen och till och med orsaka brännskador på huden.
 - Stick hål i livsmedel med tjockt skal, såsom potatis, zucchini, äpplen och kastanjer.
 - Apparaten ska placeras så att baksidan är vänd mot väggen.
 - Innan apparaten flyttas ska du se till att tallriken står stadigt så att den inte skadas.
 - Ägg med skal och hela hårdkokta ägg får inte värmas i mikroångsugn eftersom de kan explodera, även efter att mikroångsvärmningen har avslutats.
 - Ta aldrig bort delar på baksidan och sidorna av apparaten, som skyddar minimiavstånd mellan skåpväggar och apparaten för att möjliggöra den nödvändiga luftcirkulationen.

1.2 Avsedd användning

- Ugnen ska rengöras regelbundet och matrester avlägsnas.
- Underlåtenhet att hålla ugnen ren kan leda till försämring av ytan och kan negativt påverka apparatens livslängd och eventuellt leda till en farlig situation.
- Rengöring av lucktätningar och angränsande delar: Använd tvål och varmt vatten. Rengör med disktrasa, skura inte. Använd inte en metall- eller glasskrapa för rengöring.
- **WARNING:** Om luckan eller lucktätningarna skadas får ugnen inte användas förrän den har reparerats av en expert.
- **WARNING:** För att undvika fara, får endast en kompetent person utföra service eller reparationer som innebär avlägsnande av lock som skyddar mot exponering för mikrovågsenergi.
- **WARNING:** Vätskor och andra livsmedel får inte värmas i slutna behållare, eftersom de kan explodera.
- Mikrovågsugnen är endast avsedd för inbyggd användning.

- Använd inte apparaten i något annat syfte än vad som är avsett.
- Använd inte apparaten som värmekälla.
- Mikrovågsugnen är endast avsedd att tina, tillaga och sjuda maten.
- Överkoka inte livsmedel; annars kan du orsaka en brand.
- Använd inte ångdrivna rengörare för att rengöra apparaten.

1.3 Säkerhet för barn

- Extrem försiktighet bör iakttas vid användning nära barn och personer som har begränsade fysiska, sensoriska eller mentala förmågor.
- Den här utrustningen kan användas av barn över 8 år och av personer som har begränsad fysisk, sensorisk eller mental förmåga eller som saknar kunskaper och erfarenhet, under förutsättning att de övervakas avseende säker produktanvändning eller att de fått tillräckliga instruktioner eller förståelse kring riskerna med att använda produkten. Barn får inte leka med apparaten. Rengöring och underhåll får inte utföras av barn om de inte övervakas av en vuxen.

- Risk för kvävning! Förvara allt förpackningsmaterial utom räckhåll för barn.
- Låt bara barn använda ugnen utan övervakning när fullgoda instruktioner har getts, så att barn kan använda mikrovågsugnen på ett säkert sätt och förstår riskerna med felaktig användning.
- På grund av överdriven värme som uppstår i grill- och kombinationslägen, bör barn endast tillåtas använda dessa lägen under uppsikt av en vuxen.
- Håll produkten och dess strömkabel så att de är otillgängliga för barn under 8 år.
- Apparaten och dess tillgängliga ytor kan bli mycket heta när apparaten används. Håll barn på avstånd.
- Enheten är inte avsedd för användning av personer (inklusive barn) med nedsatt fysisk, sensorisk eller mental förmåga, eller med brist på erfarenhet och kunskaper, om de inte övervakas av seende säker produktanvändning eller har fått tillräckliga instruktioner av en ansvarig person med tanke på deras säkerhet.
- Barn bör övervakas för att säkerställa att de inte leker med enheten.
- **VARNING:** Låt bara barn använda ugnen utan övervakning när fullgoda instruktioner har getts, så att barn kan använda mikrovågsugnen på ett säkert sätt och förstår riskerna med felaktig användning.

1.4 Efterlevnad av WEEE-direktivet och kassering av den förbrukade produkten

Den här produkten uppfyller kraven enligt EU:s WEEE-direktiv (2012/19/EU). Den här produkten har en klassificeringssymbol för elektriskt och elektroniskt avfall (WEEE).



Denna symbol indikerar att denna produkt inte ska kasseras med annat hushållsavfall vid slutet av dess livslängd. Använd enhet måste returneras till officiell insamlingsplats för återvinning av elektriska och elektroniska apparater. För att lokalisera dessa insamlingssystem, kontakta lokala myndigheter eller den återförsäljare där produkten införskaffades. Varje hushåll spelar en viktig roll för återförande och återvinning av gamla apparater. Lämpligt bortskaffande av använda apparater hjälper till att förhindra eventuella negativa konsekvenser för miljön och människors hälsa.

1.5 Efterlevnad av RoHS-direktiv

Produkten du har köpt uppfyller kraven för EU:s RoHS-direktiv (2011/65/EU). Den innehåller inte skadliga och förbjudna material som specificerats i direktivet.

1.6 Förpackningsinformation

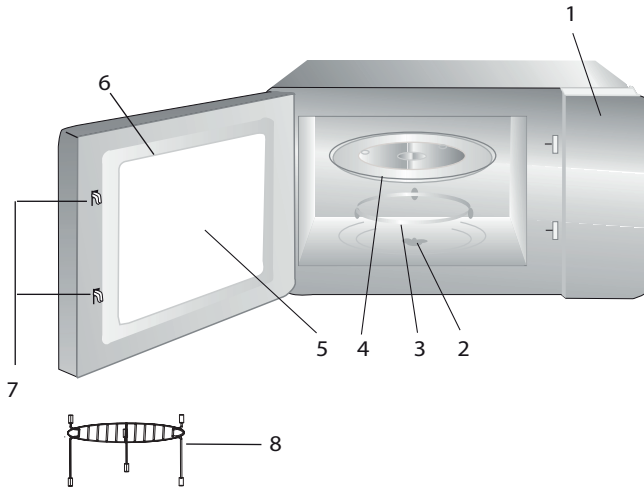


Förpackningen för din produkt är tillverkad av återvinningsbart material i enlighet med nationella miljöföreskrifter. Kasta inte förpackningsmaterial bland

hushållsavfall eller annat liknande avfall. Ta det till ett insamlingsställe för förpackningsmaterial som anvisas av de lokala myndigheterna.

2 Din mikrovågsugn

2.1 Översikt



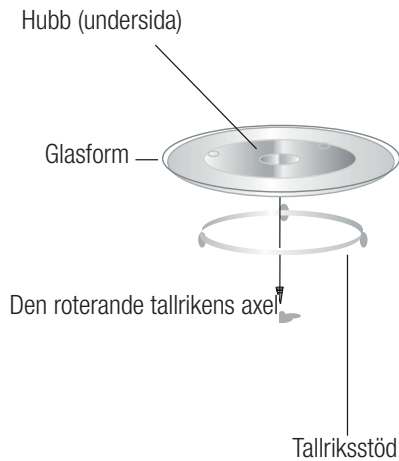
1. Kontrollpanel
2. Den roterande tallrikens axel
3. Tallriksstöd
4. Glasform
5. Ugnsfönster
6. Luckgrupp
7. Lucklåssystem
8. Grillgaller (ska endast användas med grillfunktionen och placeras på glastallriken)

2.2 Teknisk data

Energiförbrukning	230 V~50 Hz, 1 450 W (mikrovågor) 1 000 W (grill)
Utgång	900 W
Användningsfrekvens	2 450 MHz
Amperevärde	6,4 A
Yttermått	388 mm (H)/ 595 mm (B)/ 400 mm (D)
Invändiga mått i ugnen	206 mm (H)/ 328 mm (B)/ 368 mm (D)
Ugnskapacitet	25 liter
Nettovikt	18,5 kg

Värdena som anges på produktens märkningar eller i annat tryckt material som medföljer produkten inhämtas under laboratorieförhållanden enligt relevanta standarder. Dessa värden kan variera beroende på produktanvändning och omgivande förhållanden. Effektivärden testas vid 230 V.

2.3 Installation av den roterande tallriken



- Placera aldrig glastallriken upp och ner. Glastallriken får aldrig begränsas.
- Både glastallrik och tallriksstöd måste alltid användas under tillagning.
- All mat och alla behållare med livsmedel måste alltid placeras på glastallriken vid matlagning.
- Om glasbricka eller rullstöd spricker eller går sönder, kontakta närmaste auktoriserade servicecenter.

3 Installation och anslutning

3.1 Installation och anslutning

- Ta bort allt förpackningsmaterial och tillbehör. Undersök ugnen efter skador såsom bucklor eller trasig lucka. Installera inte om ugnen är skadad.
- Ta bort eventuell skyddsfolie som finns på mikrovågsugnens skåpyta.
- Ta inte bort det ljusbruna Mica-locket som är fäst i ugnsutrymmet för att skydda magnetronen.
- Denna apparat har endast designats för hushållsbruk.
- Denna ugn är endast avsedd för inbyggd användning. Den är inte avsedd för användning på arbetsbänkar eller för användning i ett skåp.
- Beakta de särskilda installationsanvisningarna.
- Apparaten kan installeras i ett 60 cm brett väggmonterat skåp (minst 50 cm djupt och 85 cm från golvet).
- Apparaten är försedd med en kontakt och får endast anslutas till ett korrekt installerat jordat uttag.
- Nätspanningen måste motsvara den spänning som anges på märkplåten.
- Om kontakten inte längre är åtkomlig efter installationen måste en allpolig fränskiljare finnas på installationssidan med en öppning på minst 3 mm.
- Adaptrar, flervägsuttag och förlängningssladdar får inte användas. Överbelastning kan resultera i brandrisk.



Den tillgängliga ytan kan vara varm under drift.

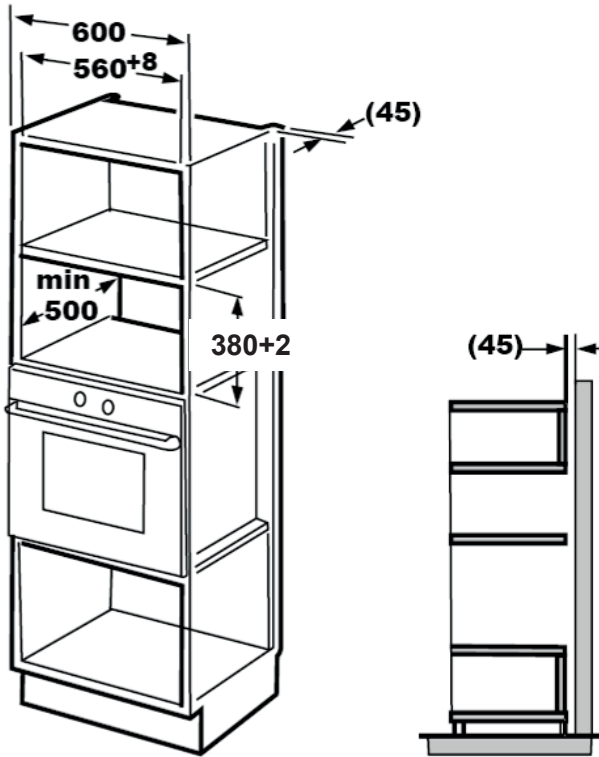


Snärj inte in eller böj strömkabeln.

3 Installation och anslutning

3.2 Inbyggd installation

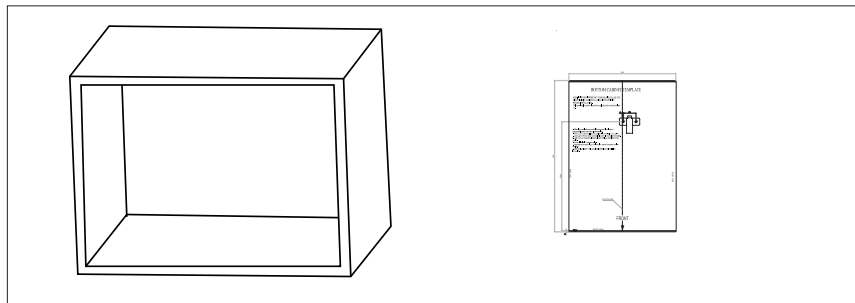
3.2.1 Möbeldimensioner för inbyggda installationer



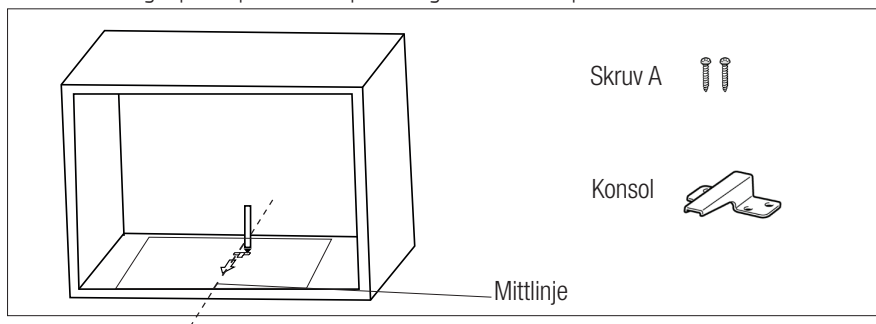
3 Installation och anslutning

3.2.2 Förberedning av skåpet

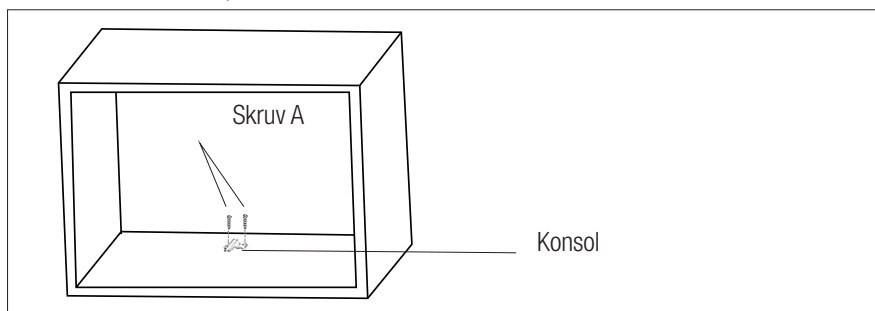
1. Läs instruktionerna på bottenskåpmallen och sätt mallen på skåpets bottenplan.



2. Gör markeringar på skåpets bottenplan enligt märkena "a" på mallen.



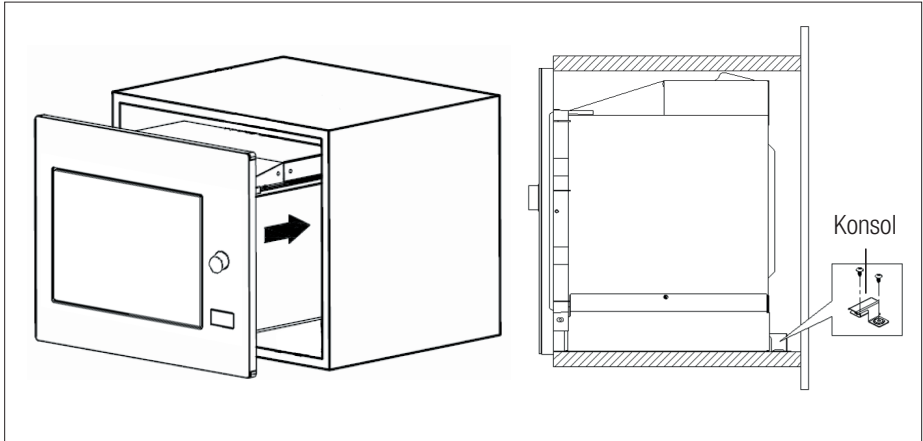
3. Ta bort den nedre skåpmallen och fixera fästet med skruv A.



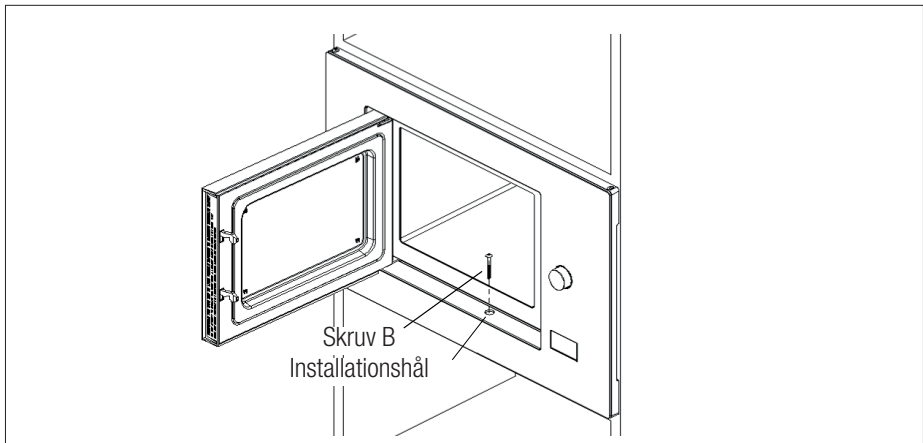
3 Installation och anslutning

3.2.3 Fixera ugnen

1. Installera ugnen i skåpet.
 - Se till att baksidan av ugnen är låst av fästet.
 - Snärj inte in eller böj strömkabeln.



2. Öppna luckan, fixera ugnen i skåpet med skruv B genom installationshål.



3 Installation och anslutning

3.3 Radiostörningar



Användning av mikrovågsugnen kan orsaka störningar för radio, tv och liknande apparater.

- Placera ugnen så långt bort från radio- och tv-apparater som möjligt. Drift av mikrovågsugnen kan orsaka störningar för radio eller tv-mottagning. 2. Anslut ugnen till ett vanligt vägguttag. Se till att spänningen och frekvensen överensstämmer med specifikationerna på märkplåten.
- Om det förekommer störningar kan de minskas eller elimineras genom att följa säkerhetsföreskrifterna nedan:
- Rengör luckan och ugnens tätningssyta.
- Ställ in antennens riktning för radion eller tv:n igen.
- Placera om ugnen med tanke på platsen för mottagaren.
- Placera mikrovågsugnen på avstånd från mottagaren.
- Koppla in mikrovågsugnen i ett annat uttag så att mikrovågsugnen och mottagaren har olika ledningar.

3.4 Tillagning i mikrovågsugn

- Förbered maten noggrant. Placera de återstående delarna utanför formen.
- Kontrollera tillagningstiden. Tillaga maten på kortast angivna tid och lägg till mer tid vid behov. Överkokt mat kan orsaka rökbildning eller brännas vid.
- Täck över maten vid tillagning. Om du täcker över maten hindrar du att den skvätter ut och det blir enklare att säkerställa att maten tillagas jämnt.

- Vänd mat, exempelvis kyckling och hamburgare, under tillagning i mikrovågsugnen för att påskynda tillagning av den här typen av mat. Stora livsmedel såsom stekar måste vändas minst en gång.
- Vänd mat, såsom köttbullar, upp och ned mitt under tillagningen och placera om dem mot varandra från mitten av rätten till utsidan.

3.5 Jordningsinstruktioner

Den här enheten måste jordas. Den här ugnen har en jordad kabel med en jordad kontakt. Apparaten måste kopplas in i ett vägguttag som installerats och jordats korrekt. Jordningssystemet tillåter läckström vid kortslutning och minskar risken för elektrisk stöt. Vi rekommenderar användning av en elektrisk krets som är anpassad för ugnen. Användning med hög spänning är farlig och kan orsaka brand eller andra olyckor, vilket kan orsaka skada på ugnen.



WARNING: Felaktig användning av den jordade kontakten kan orsaka elektrisk stöt.



Om du har några frågor kring jordningen och elinstruktionerna, ska du kontakta en behörig elektriker eller servicepersonal.



Tillverkare och/eller återförsäljare tar inget ansvar för personskador eller skada på ugnen som kan uppstå om reglerna för elanslutning inte följs.

3.6 Redskapstest

Kör aldrig mikrovågsugnen tom. Det enda undantaget är redskapsprovet som beskrivs i följande avsnitt. Vissa icke-metallredskap är inte lämpliga att använda i mikrovågsugn. Om du är osäker på om ditt redskap är lämpligt för mikrovågsugn kan du utföra följande test.

Placera det tomma redskap som skall testas i mikrovågsugnen tillsammans med ett mikrovågsugnskompatibelt glas fyllt med 250 ml vatten.

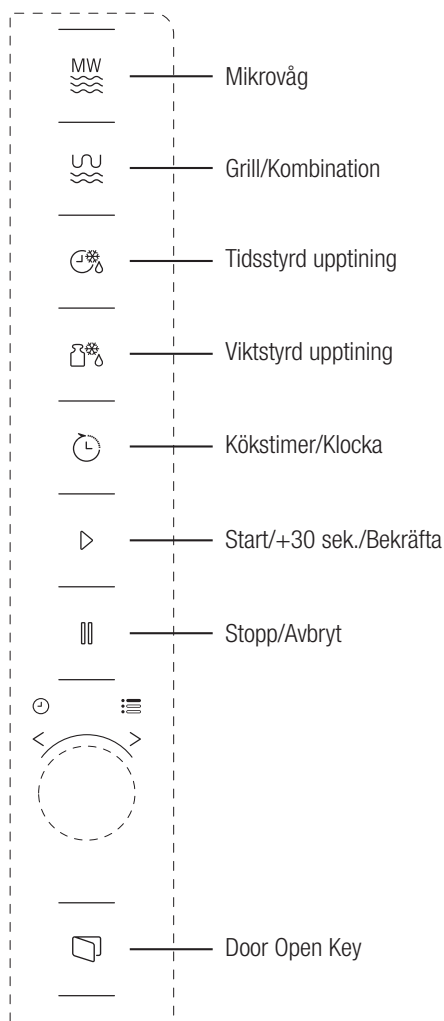
1. Kör mikrovågsugnen vid maxeffekt under 1 minut.
2. Kontrollera noggrant temperaturen hos redskapet som testas. Om det värms upp, är det inte lämpligt för användning i mikrovågsugn.
3. Överskrid aldrig driftstiden på 1 minut. Om du märker överslag under 1 minuts drift, stoppa mikrovågsugnen. Redskap som orsakar ljusbågsbildning är inte lämpliga för användning i mikrovågsugn.

Den nedanstående listan tjänar som en allmän vägledning, med vars hjälp du kan välja rätt redskap.

Tillagningsredskap	Mikrovågor	Grill	Kombination
Värmeresistent glaslucka	Ja	Ja	Ja
Ej värmeresistent glaslucka	Nej	Nej	Nej
Värmeresistent keramik	Ja	Ja	Ja
Plastform anpassad för mikrovågsugn	Ja	Nej	Nej
Pappersformar	Ja	Nej	Nej
Metallform	Nej	Ja	Nej
Metallgaller	Nej	Ja	Nej
Aluminiumfolie och folieomslag	Nej	Ja	Nej
Skummaterial	Nej	Nej	Nej

4 Användning



4.1 Kontrollpanel



4.2 Användarinstruktioner

4.2.1 Ställa in tiden



När mikrovågsugnen körs visas "0:00" på LED-skärmen och summern ringer en gång.

1. Tryck "Kökstimer/klocka" två gånger och positionerna för timmar börjar blinka.
2. Vrid  för att justera timmar, ingångsvärdet ska vara mellan 0 och 23.
3. Tryck "Kökstimer/klocka" och positionerna för minuter börjar blinka.
4. Vrid  för att justera minuter, ingångsvärdet ska vara mellan 0 och 59.
5. Tryck "Kökstimer/klocka" för att avsluta tidsinställning. ":"-symbolen blinkar, och tiden lyser upp.



Om du trycker "Stopp/avbryt" under tidsinställningen går ugnen automatiskt tillbaka till föregående läge.

4.2.2 Matlagning med mikrovågsugn

1. Tryck "Mikrovåg" en gång och "P10" visas på LED-skärmen.
2. Tryck "Mikrovåg" igen eller vrid  för att välja önskad effekt. Varje gång du trycker på knappen visas "P10", "P8", "P5", "P3" samt "P1".
3. Tryck "Start/+30 sek/bekräfta" för att bekräfta och vrid  för att ställa in tillagningstiden mellan 0:05 och 95:00.
4. Tryck "Start/+30 sek/bekräfta" igen för att starta tillagningen.

4 Användning



Exempel: Om du vill använda 80 % mikrovågseffekt för tillagning under 20 minuter, kan du använda ugnen med följande steg.

5. Tryck "Mikrovåg" en gång och "P10" visas på skärmen.
 6. Tryck "Mikrovåg" igen eller vrid för att ställa in 80 % mikrovågseffekt.
 7. Tryck "Start/+30 sek/bekräfta" för att bekräfta och "P 80" visas på skärmen.
 8. Vrid för att justera tillagningstiden tills ugnen visar "20:00".
 9. Tryck "Start/+30 sek/bekräfta" för att starta tillagningen.
- Följ de nedanstående stegen för att justera tiden i kodningsknappen:

Inställning av tiden	Ökning
0-1 minuter	5 sekunder
1-5 minuter	10 sekunder
5-10 minuter	30 sekunder
10-30 minuter	1 minut
30-95 minuter	5 minuter

4.2.3 Mikrovågsugnens knappsatsinstruktioner

Order	Skärm	Mikrovågseffekt
1	P10	100 %
2	P8	80 %
3	P5	50 %
4	P3	30 %
5	P1	10 %

4.3 Tillagning med grill eller kombinationsläge

1. Tryck "Grill/kombination" en gång och "G" visas på LED-skärmen. Tryck "Grill/kombination" flera gånger eller vrid för att välja önskad effekt. Varje gång du trycker på knappen visas "G", "C-1" samt "C-2".
2. Tryck "Start/+30 sek/bekräfta" för att bekräfta och vrid för att ställa in tillagningstiden mellan 0:05 och 95:00.
3. Tryck "Start/+30 sek/bekräfta" igen för att starta tillagningen.



Exempel: Om du vill använda 55 % mikrovågseffekt och 45 % grilleffekt (C-1) för tillagning under 10 minuter, kan du använda ugnen genom att följa de nedanstående stegen.

1. Tryck "Grill/kombination" en gång och "G" visas på skärmen.
2. Tryck "Grill/kombination" igen eller vrid för att välja läget Kombination 1.
3. Tryck "Start/+30 sek/bekräfta" för att bekräfta och "C-1" visas på skärmen.
4. Vrid för att justera tillagningstiden tills ugnen visar "10:00".
5. Tryck "Start/+30 sek/bekräfta" för att starta tillagningen.

4 Användning

4.3.1 "Grill/kombination" Instruktioner för knappats

Order	Skärm	Mikrovågseffekt	Grill Effekt
1	G	0 %	100 %
2	C-1	55 %	45 %
3	C-2	36 %	64 %



Efter halva grilltiden låter ugnen två gånger, vilket är normalt. För att få en bättre grilleffekt bör du vända på maten, stänga luckan, och sedan trycka på "Start/+30 sek/bekräfta" för att fortsätta tillagningen. Om ingen åtgärd vidtas, fortsätter ugnen tillagningen.

4.4 Snabbstart

1. I standby-läge, tryck "Start/+30 sek/bekräfta" för att starta tillagning med 100 % mikrovågseffekt. Varje gång du trycker på knappen ökas tillagningstiden upp till 95 minuter i steg om 30 sekunder.
2. Vid matlagning med mikrovågsugn, grillfunktion eller kombinationsmatlagning eller upptining med tidslägen, ökar tillagningstiden med 30 sekunder varje gång du trycker på "Start/+30 sek/bekräfta".
3. I standby-läge, vrid moturs för att ställa in tillagningstiden och starta tillagningen med 100 % mikrovågseffekt och tryck "Start/+30 sek/bekräfta" för att starta tillagningen.



I Automenyn och upptiningslägen förlängs inte tillagningstiden om man trycker på "Start/+30 sek/bekräfta".

4.5 Viktstyrd upptining

1. Tryck "Viktstyrd upptining" en gång.
2. Vrid för att "Viktstyrd upptining" matens vikt mellan 100 och 2 000 g.
3. Tryck "Start/+30sek/bekräfta" för att starta upptiningen.

4.6 Tidsstyrd upptining

1. Tryck "Tidsstyrd upptining" en gång.
2. Vrid för att "Tidsstyrd upptining" upptiningstiden. Maximal tid är 95 minuter.
3. Tryck "Start/+30sek/bekräfta" för att starta upptiningen. Upptiningseffekten är P30 och kan inte ändras.

4.7 Kökstimer (klocka)

Ugnen är utrustad med ett klocka räkneverk som inte är kopplat till ugnens funktioner och kan användas separat i köket (det kan ställas in på max. 95 minuter.)

1. Tryck "Kökstimer/klocka" en gång och 00:00 visas på LED-skärmen.
2. Vrid för att ange den korrekta tiden.
3. Tryck "Start/+30sek/bekräfta" för att bekräfta inställningen.
4. När nedräkningen från den angivna tiden når 00:00, ringer summern 5 gånger. Om tiden är inställd (24-timmarssystem), visas aktuell tid på LED-skärmen.



Tryck "Stopp/avbryt" för att när som helst avbryta timern.



En kökstimer fungerar annorlunda än ett 24-timmarssystem. Kökstimern är endast en timer.



4 Användning

4.8 Automeny

1. Vrid  medurs för att välja önskad meny. Menyerna mellan "A-1" och "A-8", nämligen pizza, kött, grönsaker, pasta, potatis, fisk, dryck och popcorn visas.
2. Tryck "Start/+30 Sek./Bekräfta" för att bekräfta.
3. Vrid  för att välja standardvikt enligt menydiagrammet.
4. Tryck "Start/+30 sek/bekräfta" för att starta tillagningen.



Exempel: Om du vill använda "Automeny" för att tillaga 350 g fisk:

1. Vrid  medurs tills "A-6" visas på skärmen.
2. Tryck "Start/+30 Sek./Bekräfta" för att bekräfta.
3. Vrid  för att välja fiskens vikt tills "350" visas på skärmen.
4. Tryck "Start/+30 sek/bekräfta" för att starta tillagningen.

4 Användning

4.8.1 Autotillagningsmeny

Meny	Vikt	Skärm
A-1 Pizza	200 g	200
	400 g	400
A-2 Kött	250 g	250
	350 g	350
	450 g	450
A-3 Grönsaker	200 g	200
	300 g	300
	400 g	400
A-4 Pasta	50 g (med 450 ml kallt vatten)	50
	100 g (med 800 ml kallt vatten)	100
A-5 Potatis	200 g	200
	400 g	400
	600 g	600
A-6 Fisk	250 g	250
	350 g	350
	450 g	450
A-7 Dryck	1 glas (120 ml)	1
	2 glas (240 ml)	2
	3 glas (360 ml)	3
A-8 Popcorn	50 g	50
	100 g	100





4 Användning

4.9 Tillagning i flera steg

Högst två tillagningssteg kan ställas in. I flerstegs-matlagning, om ett steg är upptining, måste upptining vara det första steget.



Om du vill tina mat i 5 minuter och sedan laga mat med 80 % mikrovågseffekt i 7 minuter, utför följande steg:


1. Tryck "Tidsstyrt upptining" en gång.
2. Vrid  för att "Tidsstyrd upptining" upptiningstiden tills "5:00" visas på skärmen.
3. Tryck "Mikrovåg" en gång och "P100" visas på skärmen.
4. Tryck "Mikrovåg" igen eller vrid  för att ställa in 80 % mikrovågseffekt.
5. Tryck  (Start/+30 sek/bekräfta) för att bekräfta och "P80" visas på skärmen.
6. Vrid  för att justera tillagningstiden tills ugnen visar "7:00".
7. Tryck "Start/+30 sek/bekräfta" för att starta tillagningen. Summern ljuder en gång för det första steget och nedräkningen startar för upptiningstiden. Summern ljuder igen när andra tillagningssteget inleds. Summern ljuder 5 gånger vid slutet av tillagningen.

4.10 Frågefunktion

1. I mikrovågs-, grill- och kombinationslägen, tryck "Mikrovåg" eller "Grill/kombination" och den aktuella effekten visas under 3 sekunder. Efter 3 sekunder återgår ugnen till det föregående läget.

2. Under matlagning, tryck "Kökstimer/klocka" och den aktuella tiden visas under 3 sekunder.

4.11 Barnlås

1. **Låsning:** I standbyläge, tryck på "Stopp/avbryt" i 3 sekunder och det hörs en summersignal som indikerar att barnlåset är aktiverat. Om tiden redan är inställd, visas aktuell tid också, annars visas  på LED-skärmen.
2. **Upplåsning:** För att avaktivera barnlås, tryck på "Stopp/avbryt" i 3 sekunder så att ett långt "pip" hörs som indikerar att barnlåset är avaktiverat.

4.12 Öppna ugnsluckan

- Tryck  (Öppna lucka) och luckan öppnas.

5 Underhåll och rengöring

5.1 Rengöring



VARNING: Använd aldrig bensin, lösningsmedel, slipande rengöringsmedel, metallföremål eller hårda borsrar för att rengöra apparaten.



VARNING: Sänk aldrig ned apparaten eller dess strömkanal i vatten eller någon annan vätska.

1. Stäng av apparaten och koppla bort den från vägguttaget.
2. Vänta tills apparaten är helt nedkyld.
3. Håll ugnens insida ren. Torka med en torr trasa om mat spillts ut eller vätskor som skvätt ut har fastnat på ugnsväggarna. Ett mildt rengöringsmedel kan användas om ugnen blir mycket smutsig. Undvik att använda spraymedel och andra starka rengöringsmedel, eftersom de kan orsaka fläckar, märken och ogenomskinlighet på luckans yta.
4. De utvändiga ytorna på ugnen ska rengöras med en fuktig trasa. Låt inte vatten välla ut i ventilationsöppningar för att förhindra skada på ugnens funktionsdelar.
5. Torka ofta av båda sidorna på luckan och glaset, lucktätningarna och delar nära tätningarna med en fuktig trasa för att avlägsna översvämmade rester eller spillfläckar. Använd inte några rengöringsmedel med slipeffekt.
6. Låt inte kontrollpanelen bli våt. Rengör med en mjuk, fuktig trasa. Lämna ugnsluckan öppen för att förhindra oavsiktlig användning vid rengöring av kontrollpanelen.
7. Om ånga samlas i eller runt ugnsluckan ska du torka bort den med en mjuk trasa. Detta kan inträffa när mikrovågsugnen används under förhållanden med hög luftfuktighet. Detta är normalt.
8. I vissa fall kan du behöva ta bort glasplattan för rengöring. Tvätta den i varmt vatten med mild tvållösning eller i diskmaskin.

9. Rullringen och ugnsluckan ska rengöras regelbundet för att undvika buller. Det räcker att torka av nedre ytan på ugnen med ett mildt rengöringsmedel. Rullringen kan tvättas i varmt vatten med mild tvållösning eller i diskmaskin. När du tar bort rullringen från ugnens invändiga botten för rengöring, ska du se till att installera den i rätt position när den läggs tillbaka.
10. För att ta bort dålig lukt ur ugnen ska du ställa in ett glas vatten med saften och skalet av en citron i en djup skål som är lämplig för mikrovågsanvändning och köra ugnen i 5 minuter i mikrovågsläge. Torka noggrant med en mjuk och torr trasa.
11. Kontakta auktoriserad service när ugnslampan ska bytas.
12. Ugnen ska rengöras regelbundet och matrester måste avlägsnas. Om ugnen inte hålls ren kan det orsaka problem med ytorna som kan påverka apparatens livscykel negativt och orsaka eventuella risker.
13. Kasta inte apparaten bland hushållsavfall; gamla ugnar ska kastas på speciella avfallscenter som tillhandahålls av kommunerna.
14. När mikrovågsugnen används i grillfunktionen, kan en liten mängd rök och lukt uppstå som försvinner efter en viss tids användning.

5.2 Förvaring

- Om apparaten inte används under en längre tid ska den förvaras korrekt och skyddat.
- Se till att apparaten är bortkopplad, nedkyld och helt torr.
- Förvara apparaten på en sval och torr plats.
- Förvara enheten utom räckhåll för barn

5 Underhåll och rengöring

5.3 Hantering och transport

- Bär apparaten i originalförpackningen vid hantering eller transport. Apparatsens förpackning skyddar mot fysiska skador.
- Placera inga tunga laster på apparaten eller förpackningen. Apparaten kan skadas.
- Om man råkar tappa apparaten blir den icke-operativ och man orsakar permanenta skador.

6 Felsökning

Normalt	
Mikrovågor stör tv-mottagningen	Radio- och tv-mottagningen kan störas när mikrovågsugnen är i drift. Det liknar den störning som orsakas av små elektriska apparater, såsom mixrar, dammsugare eller elfläktar. Detta är normalt.
Ugnslampan är dimmad.	Vid tillagning vid låg effekt i mikrovågsugnen kan ugnsljuset dimmas. Detta är normalt.
Ånga ansamlas på luckan, varm luft kommer ut ur ventiler.	Under tillagningen kan ånga uppstå från maten. Det mesta av ångan kommer ut från ventilerna. Men en del ånga kan ansamlas på en sval plats som ugnsluckan. Detta är normalt.
Ugnen kördes av misstag utan någon mat i den.	Det är inte tillåtet att köra apparaten utan någon mat i den. Det är mycket farligt.

Problem	Möjlig orsak	Lösning
Ugnen kan inte startas.	1) Strömsladden är inte ordentligt inkopplad.	Koppla ur. Anslut sedan igen efter 10 sekunder.
	2) Säkring har gått eller överspänningsskyddet är aktiverat.	Byt ut säkringen eller återställ strömbrytaren (repareras av professionell personal i vårt företag).
	3) Problem med uttaget.	Testa uttaget med andra elektriska apparater.
Ugnen värms inte upp.	4) Luckan är stängd på ett korrekt sätt.	Stäng luckan på ett korrekt sätt.
Glasplattan låter när mikrovågsugnen används	5) Den roterande tallriken och ugnsbotten är smutsiga.	Se avsnittet "Rengöring och underhåll" avseende rengöring av smutsiga delar.




Les denne håndboken først.

Kjære kunde,

Takk for at du kjøpte dette Cylinda-produktet. Vi håper at du får de beste resultatene av produktet, som har blitt produsert med høy kvalitet og den nyeste teknologien. Derfor bør du lese hele denne bruksanvisningen og alle andre tilhørende dokumenter nøye før du bruker produktet og ta vare på den som en referanse for fremtidig bruk. Hvis du gir produktet videre til noen andre, må du også gi dem bruksanvisningen. Følg alle advarsler og informasjon i bruksanvisningen.

Symbolenes betydning

Følgende symboler brukes i de ulike delene av denne bruksanvisningen:

	Viktig informasjon og nyttige tips om bruken.
	Advarsler om farlige situasjoner vedrørende sikkerhet for liv og eiendom.
	Advarsel om varme overflater.



Dette produktet er fremstilt på miljøvennlig vis på en moderne fabrikk uten å påføre skade på naturen.

1 Merknad om sikkerhet og miljøvern

Viktige sikkerhetsinstruksjoner Les nøye og ta vare på for fremtidig bruk

Denne delen inneholder sikkerhetsinstruksjoner som vil bidra til å beskytte mot brann, elektrisk støt, eksponering for lekkasje av mikrobølgeenergi, personskade eller skade på eiendom. Unnlater du å følge disse instruksjonene, vil garantien anses som ugyldig.

1.1 Generell sikkerhet

- Mikrobølgeovnen er beregnet på oppvarming av mat og drikkevarer. Tørking av mat eller klær og oppvarming av puter, tøfler, svamper, fuktige kluter og lignende kan medføre risiko for skader, antenning og brann.

Dette produktet er kun ment for bruk i private husholdninger eller lignende, som f.eks.:

- kjøkken for personale i forretninger, på kontorer og andre arbeidsmiljøer
- gårdsbygninger
- av gjester på hoteller, moteller og andre overnattingssteder
- bed and breakfast-miljøer

- Ikke prøv å starte ovnen med døren åpen, ellers kan du bli eksponert for skadelig mikrobølgeenergi. Sikkerhetslåser skal ikke deaktiveres eller manipuleres.
- Ikke plasser noen gjenstander mellom fremsiden på oven og døren. Ikke la skitt eller rester av rengjøringsmiddel bygge seg opp på overflatene.
- Alt vedlikehold som krever at dekkselet som beskytter mot eksponering for mikrobølgeenergi skal utføres av kvalifisert personell/servicecentersted. Alle andre fremgangsmåter er farlige.
- Produktet er beregnet på tilberedning, oppvarming og tining av mat i en privat husholdning. Det skal ikke brukes kommersielt. Produsenten skal ikke holdes ansvarlig for skader som oppstår som følge av feilbruk.
- Bruk ikke dette apparatet utendørs, på baderom, i fuktige omgivelser eller på steder det kan bli vått.
- Intet ansvar eller garantikrav godtas for skader som oppstår som følge av feil bruk eller feil håndtering av apparatet.

1 Merknad om sikkerhet og miljøvern

- Forsøk ikke å demontere apparatet. Ingen garantikrav godtas for skader som oppstår som følge av feilhåndtering.
- Bruk kun originale deler eller deler som anbefales av produsenten.
- Ikke la apparatet være uten tilsyn når det er i bruk.
- Benytt alltid apparatet på en stabil, flat, tørr overflate som forhindrer glidning.
- Apparatet må ikke brukes sammen med en ekstern tidsbryter eller et separat fjernkontrollsystem.
- Rengjør alle deler før apparatet brukes for første gang. Se informasjonen som er oppgitt i avsnittet «Rengjøring og stell».
- Apparatet må bare brukes til det formålet det er beregnet på, som beskrevet i denne håndboken. Ikke bruk slipende kjemikalier eller damp på dette apparatet. Denne ovnen er beregnet til oppvarming og tilbereding av mat. Den er ikke beregnet på industriell bruk eller bruk i et laboratorium.
- Bruk ikke apparatet til å tørke klær eller kjøkkenhåndklær.
- Apparatet blir varmt når det er i bruk. Forsiktig så du ikke kommer borti de varme delene inni ovnen.
- Ovnen er ikke beregnet på å tørke noen former for levende vesener.
- Ikke bruk ovnen når den er tom.
- Bruk bare utstyr som er egnet for bruk i mikrobølgeovn.
- Utstyret kan bli svært varmt på grunn av varmen som overføres fra den varmebehandlede maten til utstyret. Det kan være nødvendig å bruke grytekluter eller ovnshansker når du skal holde utstyret.
- Kontroller alltid at utstyret tåler bruk i mikrobølgeovn.
- Ikke plasser ovnen på komfyrer eller andre apparater som produserer varme. Dette kan skade ovnen og gjøre garantien ugyldig.
- Mikrobølgeovnen må ikke plasseres i et skap som ikke er i overholdelse med installeringsinstruksjonene.
- Etter tilbereding av maten kan det komme damp ut når du åpner lokk eller folie.
- Bruk ovnshansker når du tar ut all oppvarmet mat.
- Apparatet og de tilgjengelige overflatene kan bli svært varme når apparatet er i bruk.

1 Merknad om sikkerhet og miljøvern

- Døren og det ytre glasset kan bli svært varme når apparatet er i bruk.
- Apparatet skal aldri brukes dersom strømledningen eller apparatet er skadet.

1.1.1 Elektrisk sikkerhet

- Hvis strømledningen er skadet, må den skiftes ut av produsenten, dens serviceverksted eller en tilsvarende kvalifisert person for å unngå at fare oppstår.
- Mikrobølgeovner fra Cylinda er i overholdelse med aktuelle sikkerhetsstandarder. Hvis det skulle oppstå skader på apparatet eller strømkabelen, må den repareres eller skiftes ut av forhandlere, et serviceverksted eller et spesialisert autorisert serviceverksted. Feilaktig eller ukvalifisert reparasjonsarbeid kan forårsake fare og risiko for brukeren.
- Hovedstrømforsyningen skal være i samsvar med informasjonen som er oppgitt på apparatets typeskilt. Den eneste måten du kan koble apparatet fra strømforsyningen er å trekke støpselet ut av stikkontakten.
- Bruk apparatet kun sammen med en jordet stikkontakt.
- Ikke bruk skjøteledning til dette apparatet.
- Berør aldri apparatet med fuktige eller våte hender.
- Plasser apparatet slik at støpselet alltid er tilgjengelig.
- Unngå skader på strømledningen ved at den blir klemt, bøyd eller gnidd mot skarpe kanter. Hold strømledningen unna varme overflater og åpen ild.
- Pass på at det ikke er noen fare for at strømkabelen kan dras ut ved et uhell eller at noen kan snuble i den når apparatet er i bruk.
- Trekk ut strømledningen før hver rengjøring av produktet og når det ikke brukes.
- Ikke trekk i strømledningen når du skal koble det fra nettstrømforsyningen. Strømkabelen må aldri surres rundt apparatet.
- Ikke neddykk apparatet, strømledningen eller strømpluggen i vann eller andre væsker. Ikke hold det under rennende vann.

1 Merknad om sikkerhet og miljøvern

- Ovnens må kontrolleres ofte under oppvarming av mat i plast- eller papirbeholdere, på grunn av faren for antennelse.
- Fjern metallremser og/eller metallhåndtak på papir- eller plastposer før du setter posene, som må være egnet for bruk i mikrobølgeovn, inn i ovnen.
- Hvis du ser røyk, må du slå av apparatet eller trekke ut støpselet og holde døren lukket for å kvele eventuelle flammer.
- Ikke bruk ovnsrommet til oppbevaring av gjenstander. Ikke la papirgjenstander, kjøkkenutstyr eller matvarer ligge igjen i ovnen når den ikke er i bruk.
- Innholdet i tåteflasker eller barnematglass skal røres eller ristes, og temperaturen på innholdet må kontrolleres før det gis til barnet. Unnlatelse av dette kan føre til brannskader.

- Dette er ISM-utstyr i gruppe 2, klasse B. Gruppe 2-utstyr omfatter alt ISM-utstyr (industrielt, vitenskapelig og medisinsk) som med hensikt produserer radiofrekvensenergi og/eller bruker radiofrekvensenergi i form av elektromagnetisk stråling til behandling av materiale, og utstyr som anvender gnisterosjon.
- Klasse B-utstyr egner seg for bruk i lokaler som brukes til boliger og i lokaler som er direkte tilkoblet et lavspent strømforsyningsnettverk.
- Døren og ovnens ytre overflater kan bli varme under bruk av ovnen.

1.1.2 Produktsikkerhet

- Når drikke varmes med mikrobølger kan mikrobølgene føre til at drikken koker og spruter kraftig etter at den har blitt tatt ut av ovnen. Vær forsiktig når du holder beholderne.
- Ikke grill noe i ovnen. Varm olje kan skade ovnens deler og materialer, og kan gi brannskår på huden.
- Stikk hull i matvarer med tykt skall, som poteter, squash, epler og kastanjenøtter.

1 Merknad om sikkerhet og miljøvern

- Apparatet skal plasseres med baksiden mot vegg.
- Sikre dreieplaten før håndtering av apparatet, for å hindre at den skades.
- Egg, i skall, og hardkokte egg må ikke varmes i mikrobølgeovnen da de kan eksplodere, også etter at mikrobølgeeffekten er slått av.
- Ta aldri av delene på baksiden og på sidene av apparatet, som beskytter minimumsavstandene mellom skapveggene og apparatet for å sikre nødvendig luft sirkulasjon.
- **ADVARSEL:** Hvis døren eller tetningene rundt døren er skadet, må ovnen ikke brukes før den har blitt reparert av en kvalifisert person.
- **ADVARSEL:** Det er farlig for alle andre enn kompetente personer å utføre vedlikehold eller reparasjoner som omfatter fjerning av et deksel som gir beskyttelse mot eksponering for mikrobølgeenergi.
- **ADVARSEL:** Væsker og andre matvarer må ikke oppvarmes i tette beholdere, da det er stor sannsynlighet for at disse vil eksplodere.

1.2 Tiltent bruk

- Ovnen må rengjøres regelmessig, og eventuelle matrester må fjernes.
- Hvis du ikke holder ovnen ren, kan det føre til en forringelse av overflaten. Dette kan påvirke apparatets levetid og i verste fall utgjøre en fare.
- Rengjøring av dørtetninger og tilstøtende deler: Bruk varmt såpevann. Rengjør med en vaskeklut, ikke gni. Ikke bruk metall- eller glasskrape til rengjøring.
- Mikrobølgeovnen skal kun brukes som innebygget.
- Ikke bruk apparatet til noe annet formål enn det er beregnet til.
- Apparatet skal ikke brukes som varmekilde.
- Mikrobølgeovnen er beregnet på å tine, tilberede og langkoke mat.
- Ikke overkok matvarer, ellers kan det oppstå brann.
- Ikke bruk dampenser for å rengjøre apparatet.

1 Merknad om sikkerhet og miljøvern

1.3 Sikkerhet vedrørende barn

- Ekstrem forsiktighet bør utvises når apparatet er i bruk i nærheten av barn og personer som har begrensede psykiske, sensoriske eller mentale evner.
- Dette produktet kan brukes av barn fra 8 år og oppover, og av personer med reduserte fysiske, sensoriske eller mentale evner eller personer med manglende erfaring og kunnskap, så fram de er under tilsyn eller har fått instruksjoner om bruk av produktet på en sikker måte og forstår hvilke farer som er involvert. Barn skal ikke leke med produktet. Rengjøring og vedlikeholdsarbeid skal ikke utføres av barn med mindre de er under tilsyn av en eldre person.
- Kvelningsfare! Hold innpakningsmaterialene utilgjengelig for barn.
- Barn må kun få tillatelse til å bruke ovnen uten tilsyn når de har fått tilstrekkelige instruksjoner, slik at barnet kan bruke mikrobølgeovnen på en sikker måte og forstår farene ved feil bruk.
- På grunn av kraftig varme som kan oppstå i grill- og kombinasjonsmoduser, skal barn kun bruke disse modusene når de har tilsyn av en voksen.
- Hold produktet og dets strømløsing være utilgjengelige for barn under åtte år.
- Apparatet og de tilgjengelige overflatene kan bli svært varme når apparatet er i bruk. Hold barn unna.
- Dette produktet er ikke ment for bruk av personer (inkludert barn) med reduserte fysiske, sensoriske eller mentale evner, eller manglende erfaring og kunnskap, med mindre de er under tilsyn eller har fått instruksjoner i bruken av apparatet av en person som er ansvarlig for deres sikkerhet.
- Unge barn må ha tilsyn for å sikre at de ikke leker med produktet.
- **ADVARSEL:** Barn må kun få tillatelse til å bruke ovnen uten tilsyn når de har fått tilstrekkelige instruksjoner, slik at barnet kan bruke ovnen på en sikker måte og forstår farene ved feil bruk.

1.4 Samsvar med WEEE-direktivet og bortskaffing av avfallsprodukt:

Dette produktet er i samsvar med EUs WEEE-direktiv (2012/19/EU). Dette produktet er forsynt med et klassifiseringsymbol for kasserte elektriske og elektroniske produkter (WEEE).



Dette symbolet indikerer at dette produktet ikke skal kastes med annet husholdningsavfall ved slutten av levetiden. Brukt enhet må returneres til offisielt innsamlingssted for gjenvinning

av elektriske og elektroniske enheter. For å finne disse innsamlingsstedene, vennligst kontakt din lokale myndighet eller forhandler der produktet ble kjøpt. Hver husholdning utfører en viktig rolle i gjenvinning og gjenvinning av gammelt apparat. Passende avhending av brukt apparat bidrar til å forhindre potensielle negative konsekvenser for miljøet og menneskers helse.

1.5 Samsvar med RoHS-direktivet

Produktet du har kjøpt er i samsvar med EUs RoHS-direktiv (2011/65/EU). Det inneholder ikke skadelige og forbudte materialer som er angitt i direktivet.

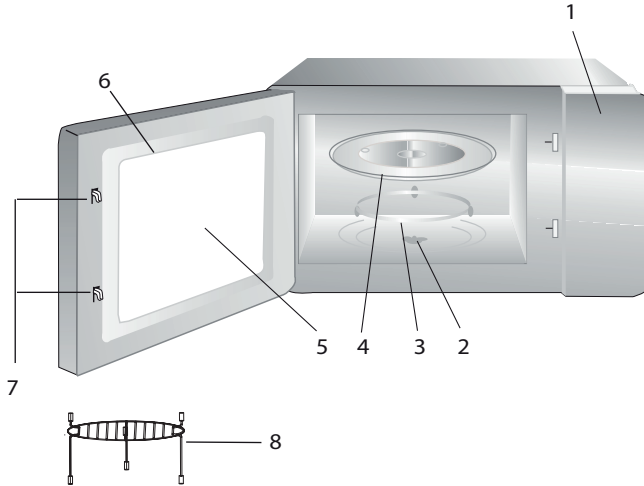
1.6 Informasjon vedrørende emballasje



Produktpakningen er laget av gjenvinnbare materialer i samsvar med våre nasjonale miljøforskrifter. Ikke kast emballasjen sammen med husholdningsavfall eller annet avfall. Ta dem med til miljøstasjoner som er opprettet av lokale offentlige myndigheter.

2 Mikrobølgeovnen

2.1 Oversikt



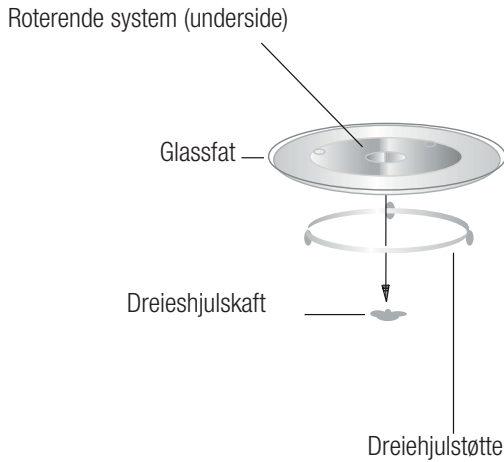
1. Kontrollpanel
2. Dreieshjulskraft
3. Dreihjulstøtte
4. Glassfat
5. Ovnsvindu
6. Dørgruppe
7. Sikkerhetslåssystem på dør
8. Grillrist (kun til bruk med grillfunksjon, og skal plasseres på glassfatet)

2.2 Tekniske data

Strømforbruk	230 V~50 Hz, 1450 W (mikrobølgeovn) 1000 W (Grill)
Effekt	900 W
Driftsfrekvens	2450 MHz
Ampere	6,4 A
Utvendige mål	388 mm (H) / 595 mm (B) / 400 mm (D)
Ovnens innvendige mål	206 mm (H) / 328 mm (B) / 368 mm (D)
Ovnens kapasitet	25 liter
Nettovekt	18,5 kg

Merkingen på produktet, eller verdiene er oppgitt i papirdokumentasjonen som medfølger produktet, er verdier oppnådd i laboratoriemiljø i henhold til relevante standarder. Disse verdiene kan variere etter bruk av produktet og miljømessige forhold. Strømverdier er testet ved 230 V.

2.3 Montere dreiehjulet



- Glassfatet må aldri settes på opp ned. Glassfatet må alltid kunne beveges fritt.
- Både glassfatet og dreieshjulsstøtten må alltid brukes under tilbereding.
- All mat og alle beholdere med mat må alltid settes på glassfatet under tilbereding.
- Hvis glassfatet eller dreieshjulsstøtten sprekker eller ødelegges, må du kontakte nærmeste serviceverksted.

3 Installering og tilkobling

3.1 Installering og tilkobling

- Ta bort all emballasje og tilbehør. Undersøk ovnen for skader, som f.eks. bulker eller ødelagt dør. Ikke installer en skadet ovn.
- Fjern eventuell beskyttelsefilm på utsiden av mikrobølgeovnen.
- Ikke fjern det lysebrune Mica-dekselet som er festet på ovnsrommet for å beskytte elektronrøret.
- Dette apparatet er beregnet på bruk kun i private husholdninger.
- Denne ovnen skal kun brukes som innebygget. Den skal ikke installeres på en benk eller inni et skap.
- Følg de spesielle installeringsinstruksjonene.
- Apparatet kan installeres i et 60 cm bredt veggmontert skap (minst 50 cm dypt og 85 cm over gulvet).
- Apparatet er utstyrt med et støpsel, og skal bare kobles til en jordet stikkontakt.
- Nettspenningen må samsvare med nettspenningen som er oppgitt på typeskiltet.
- Hvis støpselet ikke er tilgjengelig etter installering, må det monteres en bryter som kobler fra alle poler på installasjonssiden, og med et kontaktmellomrom på minst 3 mm.
- Adaptere, flergrenskontakter og forlengelsesledninger må ikke brukes. Overbelastning kan føre til brann.



Den tilgjengelige overflaten kan bli varm under bruk.

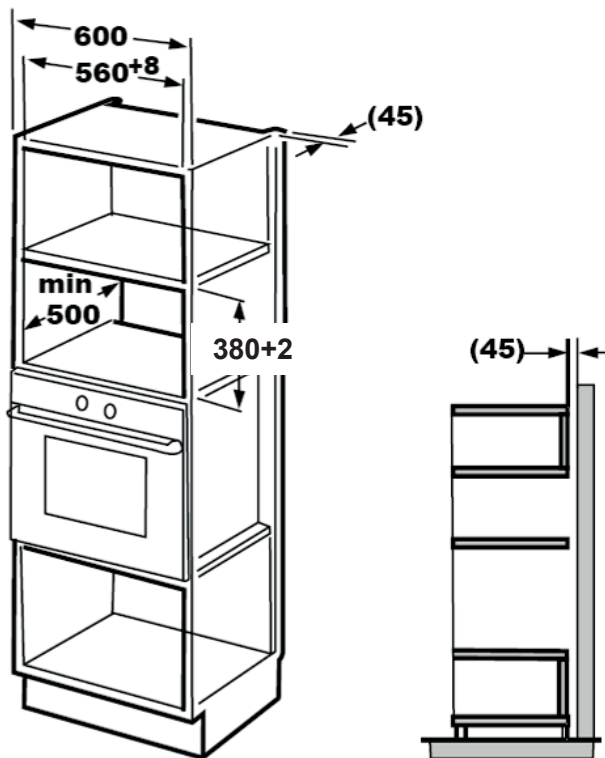


Ikke la strømkabelen komme i klemme eller bli bøyd.

3 Installering og tilkobling

3.2 Innebygd installasjon

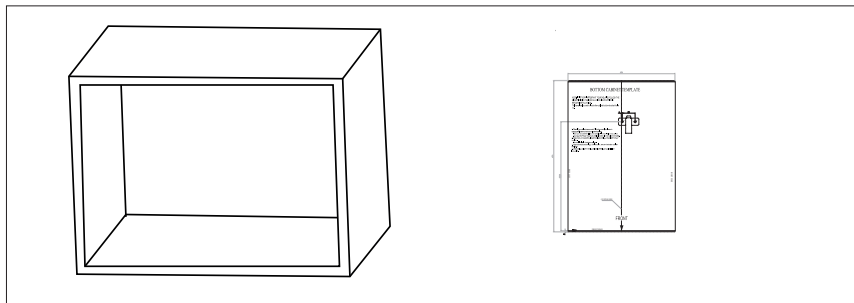
3.2.1 Mål for møbel ved innebygd installasjon



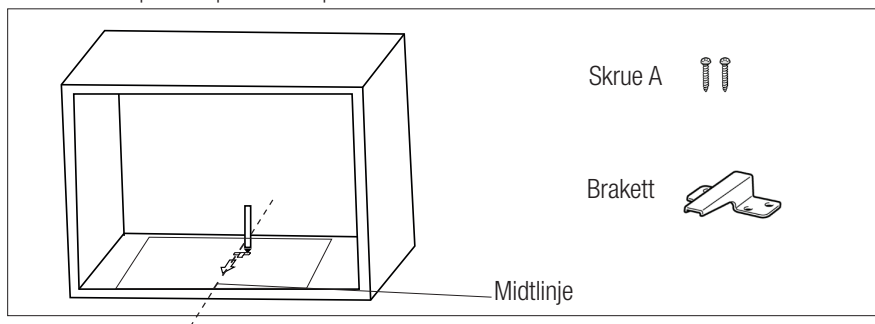
3 Installering og tilkobling

3.2.2 Klargjøre skapet

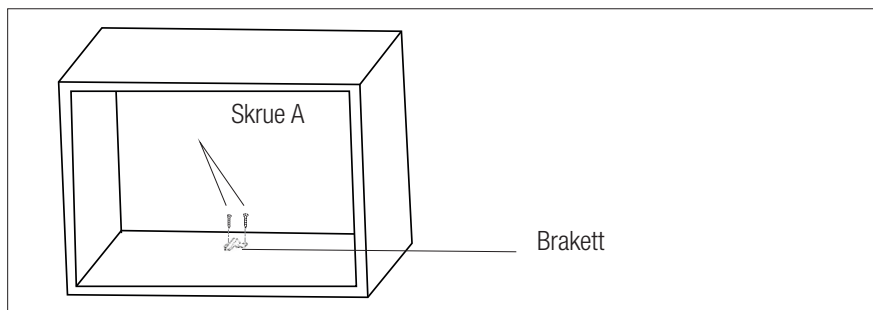
1. Les instruksjonene på den nedre skapmalen, og legg malen på bunnplaten i skapet.



2. Sett merker på bunnplaten i skapet i henhold til malens a-merke.



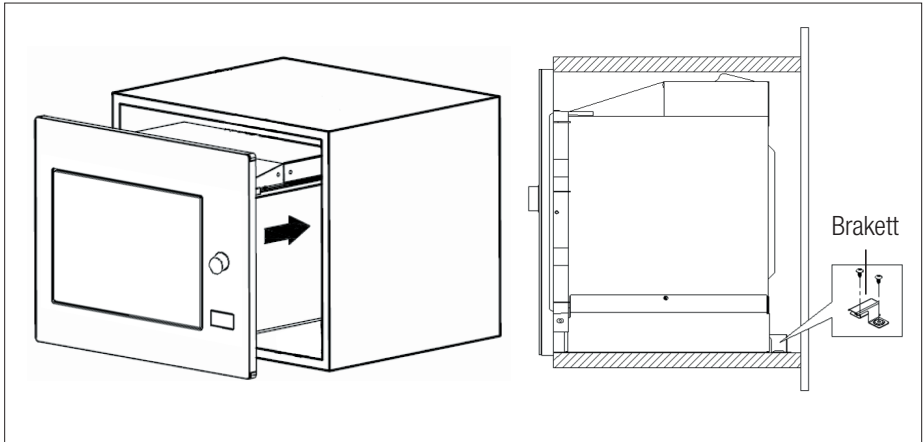
3. Ta ut skapmalen og fest braketten med skruer A.



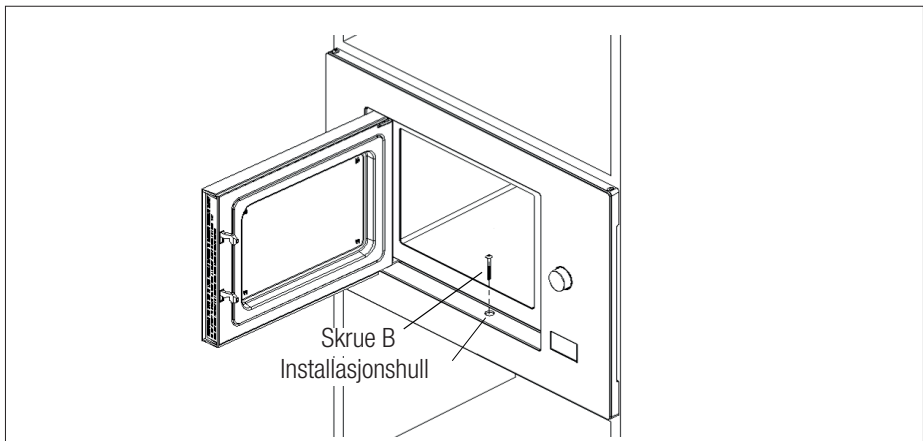
3 Installering og tilkobling

3.2.3 Feste ovnen

1. Installer ovnen i skapet.
 - Pass på at baksiden av ovnen låses fast av braketten.
 - Ikke la strømkabelen komme i klemme eller bli bøyd.



2. Åpne døren, fest ovnen i skapet med skrue B gjennom installasjonshullet.



3 Installering og tilkobling

3.3 Radioforstyrrelser



Bruk av mikrobølgeovnen kan føre til forstyrrelser på radioer, TV-apparater og lignende apparater.

- Plasser ovnen så langt unna radio- og TV-apparater som mulig. Bruk av mikrobølgeovnen kan føre til forstyrrelser på radio- eller TV-mottaket. 2. Koble ovnen til en vanlig stikkontakt. Kontroller at spenningen og frekvensen er den samme som spenningen og frekvensen som er angitt på typeskiltet.
- Hvis det oppstår forstyrrelser, kan disse reduseres eller fjernes ved å følge forholdsreglene under:
- Rengjør døren og overflaten på tetningen rundt døren.
- Still inn retningen på radio- eller TV-antennen på nytt.
- Snu ovnen i forhold til plasseringen til mottakeren.
- Sett ovnen unna mottakeren.
- Koble mikrobølgeovnen til i en annen stikkontakt, slik at mikrobølgeovnen og mottakeren er koblet til ulike kretser.

3.4 Prinsipper for tilbereding av mat i mikrobølgeovn

- Forbered maten grundig. Legg de gjenværende delene på den ytre delen av kokekaret.
- Følg med tilberedingstiden. Tilbered maten i den korteste tiden som er oppgitt, og legg til mer tid ved behov. Mat som tilberedes for lenge kan føre til røykdannelse, eller kan bli brent.
- Dekk til maten under tilbereding. Tildekking av maten hindrer spruting og bidrar til å sikre at maten tilberedes jevnt.
- Mat som fjærkre og hamburgere må snus når de tilberedes i mikrobølgeovn, for å fremskynde tilbereding av denne type matvarer. Større matvarer som f.eks. en steik, må snus minst én gang.

- Mat som f.eks. kjøttboller må snus opp ned halvveis i tilberedingen, og kjøttbollene plassert ytterst på kokekaret må byttes med de som ligger i midten av kokekaret.

3.5 Instruksjoner for jording

Dette apparatet må være jordnet. Denne ovnen har en jordet kabel med støpsel. Apparatet skal plugges i en stikkontakt som er korrekt montert og jordnet. Et jordingssystem har en lekkasjeledning for elektrisk strøm i tilfelle det oppstår en kortslutning, og reduserer faren for elektrisk støt. Vi anbefaler at ovnen brukes på en egen krets. Drift med høy spenning er farlig, og kan føre til brann eller andre ulykker som kan skade ovnen.



ADVARSEL: Feil bruk av jordingsstøpsel kan føre til elektrisk støt.



Hvis du har spørsmål om jording eller instruksjoner vedrørende strøm, må du kontakte en godkjent elektriker eller servicepersonale.



Produsenten og/eller forhandleren tar ikke ansvar for personskader eller skader på ovnen som oppstår fordi prosedyrer rundt elektriske tilkoblinger ikke følges.

3.6 Test av redskaper

Start aldri en tom mikrobølgeovn. Det eneste unntaket er når du skal teste utstyr, som forklart i neste avsnitt. Enkelte typer utstyr, som ikke er av metall, er kanskje ikke egnet for bruk i mikrobølgeovn. Hvis du er usikker på om utstyret egner seg til bruk i mikrobølgeovn, kan du utføre følgende test.

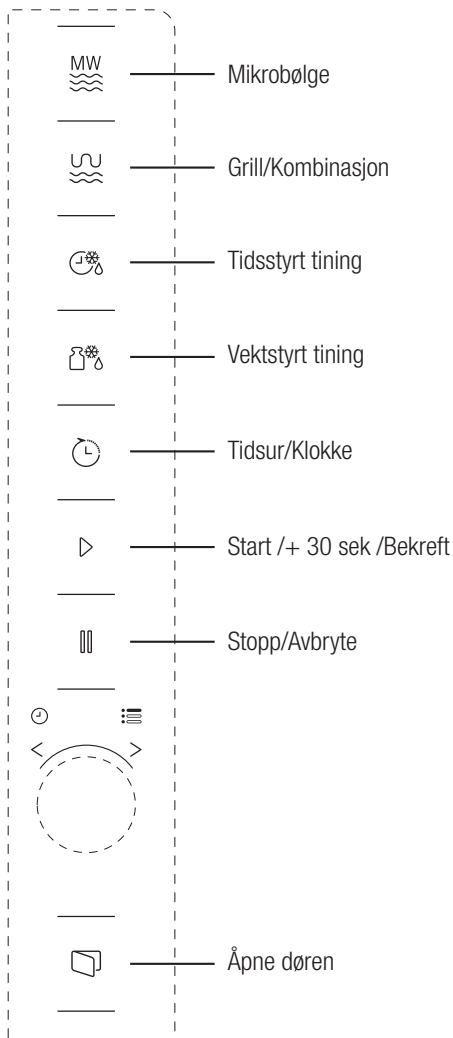
3 Installering og tilkobling

1. Sett det tomme utstyret inn i mikrobølgeovnen sammen med en mikrobølgesikkert glass fylt med 250 ml vann.
2. Kjør mikrobølgeovnen på full effekt i ett minutt.
3. Vær forsiktig, og sjekk temperaturen på utstyret du testet. Hvis det er varmt, egner det seg ikke for bruk i mikrobølgeovn.
4. Overskrid aldri driftstiden på ett minutt. Hvis du ser lysbuer/gnister i ovnen i løpet av dette minuttet, må du stoppe ovnen. Utstyr som danner lysbuer/gnister, egner seg ikke for bruk i mikrobølgeovn.

Listen under er en generell veiledning for valg av riktig utstyr til bruk i ovnen.

Tilberedningsutstyr	Mikrobølge	Grill	Kombinasjon
Varmebestandig glass (ildfast)	Ja	Ja	Ja
Ikke varmebestandig glass	Nei	Nei	Nei
Varmebestandig keramikk	Ja	Ja	Ja
Plastkar egnet for mikrobølgeovn	Ja	Nei	Nei
Kjøkkenutstyr av papir	Ja	Nei	Nei
Metallbrett	Nei	Ja	Nei
Metallstativ	Nei	Ja	Nei
Aluminiumsfolie og aluminiumslokk	Nei	Ja	Nei
Skummaterialer	Nei	Nei	Nei

4.1 Kontrollpanel



4.2 Betjening

4.2.1 Stille klokken

Når ovnen mottar strøm, står det «0:00» på LED-skjermen, og summeren ringer én gang.

1. Trykk to ganger på «Tidsur/klokke», og tallene for timer begynner å blinke.
2. Drei på for å stille inn timen. Du kan stille inn mellom 0 og 23.
3. Trykk ganger på «Tidsur/klokke», og tallene for minutter begynner å blinke.
4. Drei på for å stille inn minuttene. Du kan stille inn mellom 0 og 59.
5. Trykk på «Tidsur/klokke» for å fullføre innstillingen av klokken. Symbolet «<» blinker, og klokkeslettet lyser.



Hvis du trykker på «Stopp/Avbryt» under innstilling av klokken, går ovnen automatisk tilbake til forrige modus.

4.2.2 Matlaging med mikrobølgeoven

1. Trykk på «Mikrobølge». «P10» vises på LED-skjermen.
2. Trykk på «Mikrobølge» én gang til, eller drei på for å velge ønsket effekt. Hver gang du trykker på tasten, vises henholdsvis «P10», «P8», «P5», «P3» eller «P1».
3. Trykk på «Start / +30 sek. / Bekreft» for å bekrefte, og drei på for å stille inn tilberedingstiden til en verdi mellom 0:05 og 95:00.

4. Trykk på «Start / +30 sek. / Bekreft» én gang til for å starte tilberedingen.



Eksempel: For eksempel, hvis du vil tilberede maten i 20 minutter med 80 % mikrobølgeeffekt, gjør du følgende:

5. Trykk én gang på «Mikrobølge», «P10» vises på LED-skjermen.
 6. Trykk én gang på «Mikrobølge», eller drei på for å angi 80 % mikrobølgeeffekt.
 7. Trykk på «Start / +30 sek. / Bekreft» for å bekrefte. «P80» vises på skjermen.
 8. Drei på for å justere tilberedingstiden, helt til ovnen viser «20:00».
 9. Trykk på «Start / +30 sek. / Bekreft» for å starte tilberedingen.
- Trinnene for å justere tiden med programmeringsknappen er som følger:

Stille inn varigheten	Økning
0-1 minutt	5 sekunder
1-5 minutter	10 sekunder
5-10 minutter	30 sekunder
10-30 minutter	1 minutt
30-95 minutter	5 minutter

4.2.3 Instruksjoner for bruk av tastene på mikrobølgeovnen

Rekkefølge	Skjerm bilde	Mikrobølgeeffekt
1	P10	100 %
2	P8	80 %
3	P5	50 %
4	P3	30 %
5	P1	10 %

4.3 Tilberedning med grill eller kombinasjonsmodus

1. Trykk på «Grill/kombinasjon». «G» vises på LED-skjermen. Trykk på «Grill/kombinasjon» flere ganger, eller drei på for å velge ønsket effekt. Hver gang du trykker på tasten, vises henholdsvis «G», «C-1» eller «C-2».
2. Trykk på «Start / +30 sek. / Bekreft» for å bekrefte, og drei på for å stille inn tilberedingstiden til en verdi mellom 0:05 og 95:00.
3. Trykk på «Start / +30 sek. / Bekreft» én gang til for å starte tilberedingen.



Eksempel: For eksempel, hvis du vil tilberede maten i 10 minutter med 55 % mikrobølgeeffekt og 45 % grilleffekt (C-1), gjør du følgende:

1. Trykk én gang på «Grill/kombinasjon». «G» vises på LED-skjermen.
2. Trykk på «Grill/kombinasjon» én gang til, eller drei på for å velge kombinasjonsmodus 1.
3. Trykk på «Start / +30 sek. / Bekreft» for å bekrefte. «C-1» vises på skjermen.
4. Drei på for å justere tilberedingstiden, helt til ovnen viser «10:00».
5. Trykk på «Start / +30 sek. / Bekreft» for å starte tilberedingen.


4.3.1 Instruksjoner for bruk av tastene Grill/kombinasjon

Rekkefølge	Skjerm-bilde	Mikrobølge effekt	Grill Effekt
1	G	0 %	100 %
2	C-1	55 %	45 %
3	C-2	36 %	64 %



Når halve grilltiden har passert, avgir ovnen to lydsignaler. Dette er normalt. For at grilleffekten skal bli bedre, bør du snu maten, lukke døren og deretter trykke på «Start / +30 sek. / Bekreft» for å fortsette tilberedningen. Hvis du ikke gjør noe, fortsetter ovnen med tilberedningen.


4.4 Hurtigstart

1. Når ovnen er i standby, trykker du på «Start/30 sek./Bekreft» for å starte tilberedning med 100 % mikrobølgeeffekt. Hver gang du trykker på tasten, øker tilberedningstiden i trinn på 30 sekunder, helt til den er 95 minutter.
2. I modusene for mikrobølge, grill og kombinasjon eller tining etter tid, øker tilberedningstiden med 30 sekunder hver gang du trykker på «Start / +30 sek. / Bekreft».
3. Når ovnen er i standby, dreier du  mot urviseren for å stille inn tilberedningstiden for å starte tilberedningen med 100 % mikrobølgeeffekt, og trykker på «Start/30 sek./Bekreft».




I modusene automeny og tining etter vekt, økes ikke tilberedningstiden når du trykker på «Start/30 sek./Bekreft».

4.5 Tining etter vekt


1. Trykk én gang på «Tining etter vekt».
2. Drei på  for å velge vekten på matvaren. Du kan velge mellom 100 og 2000 g.
3. Trykk på «Start / +30 sek. / Bekreft» for å starte tiningen.

4.6 Tining etter tid

1. Trykk én gang på «Tining etter tid».
2. Drei på  for å velge tinetid. Maksimal innstillingstid er 95 minutter.
3. Trykk på «Start / +30 sek. / Bekreft» for å starte tiningen. Tineeffekten er P30, og den kan ikke endres.

4.7 Tidsur (teller)

Ovnen har en automatisk teller, som ikke er koblet til ovnsfunksjonene. Denne kan brukes separat på kjøkkenet (maks. innstilling er 95 minutter).



1. Trykk på «Grill/Tidsur». «00:00» vises på LED-skjermen.
2. Drei på  for å angi ønsket tid.
3. Trykk på «Start/30 sek./Bekreft» for å bekrefte innstillingen.
4. Når nedtellingen er på 00:00, avgir ovnen fem lydsignaler. Hvis klokkeslettet er stilt inn (24-timers system), vises nåværende klokkeslett på LCD-skjermen.

Trykk på «Stopp/avbryt» for å avbryte tidsuret når som helst.





Tidsuret fungerer på en annen måte enn 24-timers systemet. Det er kun et tidsur.

4.8 Automeny

1. Drei  med urviseren for å velge ønsket meny. Menyene mellom «A-1» og «A-8», som er pizza, kjøtt, grønnsaker, pasta, poteter, fisk, drikkevarer og popcorn, vises.
2. Trykk på «Start/30 sek./Bekreft» for å bekrefte.
3. Drei  for å velge standardvekten i henhold til menyoversikten.
4. Trykk på «Start / +30 sek. / Bekreft» for å starte tilberedningen.



Eksempel: Hvis du vil bruke automenyen til å tilberede 350 g fisk:

1. Drei  med urviseren til «A-6» vises på skjermen.
2. Trykk på «Start/30 sek./Bekreft» for å bekrefte.
3. Drei på  for å velge vekten for fisken, til det står «350» på skjermen.
4. Trykk på «Start / +30 sek. / Bekreft» for å starte tilberedningen.

4 Bruk

4.8.1 Autotilberedingsmeny





Meny	Vekt	Skjerm bilde
A-1 Pizza	200 g	200
	400 g	400
A-2 Kjøtt	250 g	250
	350 g	350
	450 g	450
A-3 Grønnsaker	200 g	200
	300 g	300
	400 g	400
A-4 Pasta	50 g (med 450 ml kaldt vann)	50
	100 g (med 800 ml kaldt vann)	100
A-5 Potet	200 g	200
	400 g	400
	600 g	600
A-6 Fisk	250 g	250
	350 g	350
	450 g	450
A-7 Drikkevarer	1 glass (120 ml)	1
	2 glass (240 ml)	2
	3 glass (360 ml)	3
A-8 Popcorn	50 g	50
	100 g	100

4.9. Tilbereding i flere trinn

Du kan maks angi to trinn for tilbereding. Hvis du bruker flertrinns-tilbereding, og det ene trinnet er tining, må dette trinnet plasseres først.



Hvis du vil time maten i 5 minutter og deretter tilberede den i 7 minutter med 80 % mikrobølgeeffekt, går du frem på følgende måte:

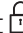
1. Trykk én gang på «Tining etter tid».
2. Drei på  for å velge tiningstid, helt til det står «5:00» på skjermen.
3. Trykk én gang på «Mikrobølge». «P100» vises på LED-skjermen.
4. Trykk én gang på «Mikrobølge», eller drei på  for å angi 80 % mikrobølgeeffekt.
5. Trykk på  «Start /+30 sek. / Bekreft» for å bekrefte. «P80» vises på skjermen.
6. Drei på  for å justere tilberedingstiden, helt til ovnen viser «7:00».
7. Trykk på «Start/30 sek./Bekreft» for å starte tilberedingen. Et lydsignal avgis for det første trinnet, og nedtelling for tining starter. Et nytt lydsignal avgis når det andre trinnet startes. Fem lydsignaler avgis når tilberedingen er ferdig.

4.10 Spørringsfunksjon

1. I modusene mikrobølge, grill og kombinasjon, kan du trykke på «Mikrobølge» eller «Grill/kombinasjon» for å vise det nåværende effektnivået i 3 sekunder. Etter 3 sekunder går ovnen tilbake til forrige modus.

2. Trykk på «Tidsur/klokke» under tilbereding for å vise nåværende klokkeslett i 3 sekunder.

4.11 Barnesikring

1. **Aktivere:** Når ovnen er i standbymodus, trykker du og holder inne «Stopp/avbryt» i tre sekunder. Et lydsignal avgis for å indikere at barnesikringen er aktivert. Hvis klokkeslettet er stilt inn, vises også dette. Hvis ikke står det  på LCD-skjermen.
2. **Deaktivere:** Når barnesikringen er aktivert, deaktivere du den ved å trykke og holde inne «Stopp/avbryt» i tre sekunder. Et lydsignal avgis for å indikere at barnesikringen er deaktivert.

4.12 Åpne døren

Trykk på  (Åpne dør). Døren åpnes.

5.1 Rengjøring



ADVARSEL: Bruk aldri bensin, løsemiddel, slipende rengjøringsmidler, metallgjens-tander eller harde børster for å gjøre apparatet rent.



ADVARSEL: Senk aldri apparatet eller dets ledning ned i vann eller noen væske.

1. Slå av apparatet og koble strømstøpselet fra vegguttaket.
2. Vent til apparatet er helt avkjølt.
3. Hold ovnen ren innvendig. Tørk av ovnen med en fuktig klut hvis matsprut eller væskesøl sitter fast på veggene i ovnen. Hvis ovnen blir svært skitten kan du bruke et mildt rengjøringsmiddel. Unngå bruk av sprayer og andre kraftige rengjøringsmidler. Disse kan gi flekker og merke, og endre dørøverflatens gjennomskinnelighet.
4. Ovnens utvendige overflater skal rengjøres med en fuktig klut. Vann må ikke komme inn i ventilasjonsåpningene, for å hindre skade på delens driftskomponenter.
5. Tørk av begge sider av døren og glasset, dørpakninger og delene rundt pakningene ofte med en fuktig klut, for å fjerne flekker fra overkoking og annet søl. Ikke bruk slipende rengjøringsmidler.
6. Sørg for at kontrollpanelet ikke blir vått. Rengjør med en myk, fuktig klut. La døren på ovnen stå åpen for å hindre utilsiktet start av ovnen under rengjøring av kontrollpanelet.
7. Hvis det samler seg damp inni ovnen eller rundt ovnsdøren tørker du den bort med en myk klut. Dette kan oppstå når mikrobølgeovnen brukes under forhold med høy fuktighet. Dette er normalt.
8. En gang i blant må glassfatet tas ut og rengjøres. Vask fatet i varmt såpevann eller i oppvaskmaskin.

9. Rulleringen og bunnen i ovnen må rengjøres regelmessig for å hindre mye støy.

Det er tilstrekkelig å tørke av flaten i bunnen av ovnen med et mildt rengjøringsmiddel. Rulleringen kan vaskes i varmt såpevann eller i oppvaskmaskin. Når du tar ut rulleringen for rengjøring, må du passe på at du setter den på plass igjen på riktig sted.

10. For å fjerne vondt lukt fra ovnen, setter du et glass vann med saft og skall fra en sitron i en dyp bolle som tåler mikrobølgeovn, inn i ovnen og kjører den i fem minutter i mikrobølgemodus. Tørk av grundig, og tørk med en myk klut.
11. Hvis lampen i ovnen må skiftes ut, må du kontakte et autorisert verksted.
12. Ovnen må rengjøres regelmessig, og eventuelle matrester må fjernes. Hvis ovnen ikke holdes ren, kan dette føre til skader i overflaten som kan ha negativ innvirkning på apparatets levetid og som kan medføre risiko.
13. Apparatet skal ikke kastes sammen med husholdningsavfall. Gamle ovner skal leveres på kommunale innsamlingspunkter.
14. Når du bruker grillfunksjonen, kan det oppstå litt røyk og lukt. Dette forsvinner etter en viss tid.

5.2 Oppbevaring

- Hvis du ikke har tenkt å bruke apparatet på lang tid, vennligst vær nøye med hvordan du oppbevarer det.
- Vennligst sørg for at apparatet er koblet fra, avkjølt og helt tørt.
- Oppbevar apparatet på et tørt og kjølig sted.
- Hold apparatet utilgjengelig for barn.

5 Rengjøring og vedlikehold

5.3 Håndtering og transport

- Oppbevar apparatet i originalemballasjen under håndtering og transport. Emballasjen beskytter apparatet mot fysiske skader.
- Legg ikke tunge gjenstander på apparatet eller på emballasjen. Apparatet kan bli skadet.
- Hvis apparatet mistes, f.eks. i gulvet, kan det slutte å virke eller få permanente skader.

6 Feilsøking

Normal	
Mikrobølgeovnen forstyrrer TV-mottak.	Når mikrobølgeovnen brukes, kan det hende at den forstyrrer mottak av radio- og TV-signaler på samme måte som mindre apparater som mikserer, støvsugere og elektriske vifter kan føre til slike forstyrrelser. Dette er normalt.
Ovnslampen har svakt lys.	Under tilberedning ved lav effekt, kan det hende at ovnslampen lyser svakere. Dette er normalt.
Damp samles på døren, varm luft kommer ut av ventilasjonsåpningene.	Under tilberedning kan det komme varm damp fra maten. Det meste av denne dampen slippes ut gjennom ventilasjonsåpningene. Noe av dampen kan imidlertid samle seg på døren. Dette er normalt.
Ovnen ble ved et uhell startet uten av det var mat i den.	Det er ikke tillatt å bruke apparatet uten mat. Det er svært farlig.

Problem	Mulig årsak	Løsning
Ovnen starter ikke.	1) Strømkabelen er ikke riktig tilkoblet.	Koble den fra. Koble til igjen etter 10 sekunder.
	2) Sikringen er gått, eller kretsbyteren aktivert.	Skift sikringen eller tilbakestill kretsbyteren (repareres av fagpersonell eller vårt selskap).
	3) Feil på stikkontakten.	Test stikkontakten med annet elektrisk utstyr.
Ovnen varmer ikke.	4) Døren er ikke skikkelig lukket.	Lukk døren skikkelig.
Dreiehjulet lager lyd når ovnen er i bruk.	5) Dreiehjulet og bunnen av ovnen er skitne.	Se delen «Rengjøring og vedlikehold» om informasjon vedrørende rengjøring av skitne deler.

Lue tämä käyttöopas ensin!

Hyvä asiakas,

Kiitos, että ostit Cylinda-tuotteen. Toivomme, että saat parhaat tulokset tuotteestasi, joka on valmistettu korkealaatuisista osista käyttäen huipputeknologiaa. Lue tämä käyttöopas sekä muut toimitukseen kuuluvat asiakirjat huolella, ennen kuin alat käyttämään tuotetta, ja säilytä käyttöopas mahdollista myöhempää tarvetta varten. Jos luovutat tuotteen jollekin kolmannelle osapuolelle, anna myös tämä käyttöopas mukaan. Noudata kaikkia käyttöoppaassa annettuja varoituksia ja ohjeita.

Symbolien merkitykset

Seuraavia symboleita käytetään tämän käyttöoppaan eri osissa.



Tärkeitä tietoja ja hyödyllisiä vinkkejä koskien tuotteen käyttöä.



Varoituksia koskien ihmisten ja omaisuuden turvallisuuden kannalta vaarallisista tilanteista.



Varoitus koskien laitteen kuumia pintoja.



Tämä tuote on valmistettu ympäristöystävällisellä tavalla nykyaikaisessa tuotantolaitoksessa luontoa vahingoittamatta.

Tämä laite on yhdenmukainen WEEE-asetuksen kanssa.



Se ei sisällä piirilevyä.

Tärkeitä turvallisuutta koskevia ohjeita Lue huolellisesti ja säilytä mahdollista myöhempää tarvetta varten

Tässä osio sisältää turvallisuusohjeita, jotka auttavat suojaamaan tulipalon, sähköiskun, mikroaaltosäteilyvuodon, henkilö- tai omaisuusvahinkojen varalta. Näiden ohjeiden noudattamatta jättäminen mitätöi takuun.

1.1 Yleinen turvallisuus

- Tämä laite on tarkoitettu ruoan ja juomien lämmittämiseen. Ruoan tai vaatteiden kuivaaminen, tai lämpötyynyjen, tohveleiden, sienien, kosteiden vaatteiden ja vastaavien kuumentaminen mikroaaltouunissa saattaa johtaa loukkaantumiseen, syttymiseen tai tulipaloon.

Laite on tarkoitettu käytettäväksi kotitalouksissa ja vastaavissa ympäristöissä, kuten:

- henkilökunnan keittiötiloissa myymälöissä, toimistoissa ja muissa työympäristöissä,
- maataloilla,
- hotellien, motellien ja muiden majoitustilojen asiakkaiden keskuudessa;
- aamiaismajoitus-tyyppisissä ympäristöissä.
- Älä yritä käynnistää mikroaaltouunia sen luukun ollessa auki: muussa tapauksessa tämä voi johtaa altistumiseen haitalliselle mikroaaltosäteilylle. Turvallisuuslukitusta ei saa purkaa tai rikkoa.
- Älä aseta mitään esineitä mikroaaltouunin etuosan ja uunin luukun väliin. Älä anna lian tai puhdistusainejäämien kerääntyä sulkeutuvien pintojen väliin.
- Kaikki huoltotoimenpiteet, jotka vaativat mikroaaltosäteilyaltistukselta suojaavan suojuksen poistamisen, tulee suorittaa ainoastaan valtuutetun henkilön/huoltoliikkeen toimesta. Muussa tapauksessa tämä on vaarallista.

- Laite on tarkoitettu ruoan kypsentämiseen, lämmittämiseen ja sulattamiseen kotitalousympäristöissä. Laitetta ei tule käyttää kaupallisiin käyttötarkoituksiin. Valmistaja ei ota mitään vastuuta vahingoista jotka ovat aiheutuneet väärinkäytöksistä.
- Älä käytä tätä laitetta ulkotiloissa, kylpyhuoneissa, kosteissa ympäristöissä tai muissa paikoissa, joissa se voi kastua.
- Valmistaja ei ota vastuuta, tai korvaa vaurioita, jotka johtuvat laitteen väärinkäytöstä tai sen huolimattomasta käsittelystä.
- Älä koskaan yritä purkaa laitetta itse. Mitään takuuvaatimuksia ei hyväksytä virheellisen käsittelyn aiheuttamista vahingoista.
- Käytä vain alkuperäisiä tai valmistajan suosittelemia lisävarusteita.
- Älä jätä laitetta ilman valvontaa sen ollessa käytössä.
- Käytä laitetta aina tukevalla, tasisella, puhtaalla, kuivalla ja luisuttamattomalla pinnalla.
- Laitetta ei tule käyttää ulkoisen ajastimen tai erillisen kauko-ohjattavan virransyöttöjärjestelmän kanssa.
- Puhdista kaikki osat, ennen kuin käytät laitetta ensimmäistä kertaa. Katso lisätietoja osiosta "Puhdistus ja kunnossapito".
- Käytä laitetta vain sille suunniteltuun käyttötarkoitukseen tässä käyttöoppaassa kuvatulla tavalla. Älä käytä hankaavia puhdistusaineita tai höyryä laitteen puhdistamiseen. Tämä laite on tarkoitettu yksinomaan ruoan kuumentamiseen ja kypsentämiseen. Sitä ei ole tarkoitettu teollisuustai laboratorioskäyttöön.
- Älä käytä tätä laitetta vaatteiden tai keittiöpyyhkeiden kuivaamiseen.
- Laite kuumenee erittäin kuumaksi käytön aikana. Varo koskettamasta laitteen sisällä olevia kuumia osia.
- Laitetta ei ole tarkoitettu elävän olennon kuivaamiseen.
- Älä käytä uunia tyhjänä.
- Käytä vain mikroaaltouuneille sopivia astioita.
- Ruoanlaittoastia voi kuumentua lämpimän ruoan lämmön siirtyessä astiaan. Voit tarvita patakin-taita astian käsittelyssä.

- Astiat tulee tarkistaa ja varmistaa, että ne soveltuvat käytettäväksi mikroaaltouunissa.
- Älä sijoita uunia liedon tai muun lämmönlähteen päälle. Muussa tapauksessa se voi vahingoittaa ja takuu raukeaa.
- Mikroaaltouunia ei tule asettaa sisään kaappiin, joka ei ole yhteensopiva asennusohjeiden kanssa.
- Höyryä saattaa purkautua kun ruoanvalmistuksen jälkeen avataan kansi tai nostetaan folio pois.
- Käytä suojakäsineitä ottaessasi lämmitettyä ruokaa pois mikroaaltouunista.
- Laite ja sen käytettävissä olevat pinnat voivat kuumeta erittäin kuumiksi käytön aikana.
- Luukku ja sen ulompi lasi voivat kuumeta erittäin kuumiksi käytön aikana.

1.1.1 Sähköturvallisuus

- Jos verkkojohto on vaurioitunut, se tulee vaihtaa valmistajan, huoltoliikkeen tai valtuutetun sähköasentajan toimesta vaaran välttämiseksi.
- Cylinda-mikroaaltouunit ovat kaikkien soveltuvien turvallisuusstandardien mukaisia. Jos laite tai sen verkkojohto on vaurioitunut, laite tulee vaihtaa tai korjata jälleenmyyjän, huoltokeskuksen tai valtuutetun sähköasentajan tai huoltoliikkeen toimesta vaaran välttämiseksi. Virheellinen tai valtuuttamaton korjaus voi olla vaarallista ja aiheuttaa käyttäjälle vaaran.
- Varmistu siitä että verkkovirran jännite vastaa laitteen tyyppikilvessä annettu arvoja. Ainoa tapa katkaista virta laitteesta on vetää pistoke irti pistorasiasta.
- Kytke laite vain maadoitettuun pistorasiaan.
- Älä koskaan käytä laitetta, jos laite tai sen verkkojohto on vaurioitunut.
- Älä käytä laitetta jatkojohdon kanssa.
- Älä koskaan kosketa laitetta tai sen pistoketta märin tai kostein käsin.
- Sijoita laite niin, että sen pistoke on aina vapaasti saatavilla.

- Estä verkkojohdon vaurioituminen välttämällä puristamasta, taivuttamasta tai hankaamasta sitä teräviä reunoja vasten. Pidä verkkojohto kaukana kuumilta pinoilta ja avotulesta.
- Varmista, ettei verkkojohtoa voi vahingossa vetää irti, tai ettei kukaan voi kompastua siihen, laitteen ollessa käytössä.
- Irrota laite pistorasiasta aina ennen puhdistamista ja laitteen ollessa pois käytöstä.
- Älä vedä laitteen pistoketta irti seinästä johdon varassa kun irrotat laitteen pistorasiasta, äläkä koskaan kierrä verkkojohtoa laitteen ympärille.
- Älä upota laitetta, sen verkkojohtoa tai pistoketta veteen tai muihin nesteisiin. Älä pidä sitä juoksevan veden alla.
- Kun lämmität ruokaa muovi- tai pahviastioissa, tarkista uuni säännöllisesti mahdollisen syttymisen varalta.
- Irrota pahvi- tai muovipusseissa olevat metallilangat, ennen kuin laitat mikroaaltouuniin sopivan pussin uuniin.
- Jos laite alkaa savuta, sammuta tai irrota se verkkovirrasta ja pidä sen luukku suljettuna tukahduttaaksesi liekit.
- Älä säilytä mitään uunin sisällä. Älä jätä uunin sisälle pahvia, ruoka-astioita tai ruokia, kun uuni ei ole käytössä.
- Tuttipullojen ja vauvanruokapurkien sisältö tulee sekoittaa tai ravistaa, ja niiden lämpötila tarkistetaan ennen antamista lapselle palovammojen välttämiseksi.
- Tämä tuote on ryhmän 2 luokan B ISM-laite. Ryhmän 2 laitteet sisältävät kaikki ISM-laitteet (teollisuus, tiede ja lääketiede) joissa muodostetaan ja/tai käytetään tarkoituksellisesti radiotaajuusenergiaa sähkömagneettisen säteilyn muodossa materiaalin käsittelyssä ja kipinäeroosiolaitteissa.
- Luokan B laite soveltuu käyttöön kotitalouksissa ja rakennuksissa, jotka on liitetty suoraan matalajännitesähköverkkoon.
- Luukku tai laitteen ulkopinta voi lämmetä laitteen ollessa käytössä.

1.1.2 Tuoteturvallisuus

- Juomien lämmittäminen mikroaaltouunissa saattaa aiheuttaa niiden kiehumista ja roiskumista, kun ne on otettu pois uunista, joten ole varovainen astioita käsitellessäsi.
- Älä paista uunissa mitään. Kuuma öljy voi vahingoittaa uunin komponentteja ja materiaaleja ja aiheuttaa palovammoja iholle.
- Rei'itä paksukuoriset ruoka-aineet, kuten perunat, kesäkurpitsat, omenat ja kastanjat.
- Laite on sijoitettava siten, että sen takaosa on seinää kohti.
- Kiinnitä pyörivä alusta ennen laitteen siirtämistä estääksesi alustan vahingoittumisen.
- Munia kuorineen ja kokonaisia kovaksi keitettyjä kananmunia ei tule lämmittää mikroaaltouunissa koska ne voivat räjähtää mikroaaltokypsennyksen jälkeen.
- Älä koskaan irrota laitteen takana ja sivuilla olevia osia, joiden avulla varmistetaan kaapin seinien ja laitteen välinen minimietäisyys, jotta laitteen ilmankierto ei estyisi.

1.2 Käyttötarkoitus

- Mikroaaltouuni on puhdistettava säännöllisesti ja sen sisälle kertyneet ruokajäämät on poistettava.
- Uunin puhtaanapidon laiminlyönti voi johtaa pintojen laadun heikkenemiseen, mikä voi lyhentää laitteen käyttöikää ja johtaa mahdollisiin vaaratilanteisiin.
- Luukun tiivisteiden ja vierekkäisten osien puhdistaminen: Käytä puhdistamiseen kuumaa saippuavettä. Käytä astianpesupyyhettä, älä hankaa. Älä käytä metallisia tai muovisia kaapimia puhdistamista varten.
- **VAROITUS:** Jos luukku tai luukun tiivisteet vahingoittuvat, uunia ei saa käyttää ennen kuin se on korjattu valtuutetun huoltomiehen toimesta.
- **VAROITUS:** Kaikki valtuuttamattoman henkilön suorittamat huolto- tai korjaustoimenpiteet, jotka vaativat mikroaaltosäteilyltä suojaavan suojuksen poistamista, ovat vaarallisia.
- **VAROITUS:** Nesteitä ja muita ruokia ei tule lämmittää suljettujen astioiden sisällä koska ne voivat räjähtää.

- Mikroaaltouuni on tarkoitettu ainoastaan sisäänrakennettuun käyttöön.
- Älä käytä laitetta mihinkään muuhun kun sille tarkoitettuun käyttötarkoitukseen.
- Älä käytä laitetta lämmittimenä.
- Mikroaaltouuni on tarkoitettu vain ruokien sulattamiseen, kypsentämiseen ja hauduttamiseen.
- Älä ylikypsennä ruokia: muussa tapauksessa ne voivat syttyä tuleen.
- Älä käytä höyrypuhdistimia laitteen puhdistamiseen.
- Tätä laitetta voivat käyttää 8-vuotiaat ja sitä vanhemmat lapset sekä henkilöt joiden fyysinen, sensorinen tai henkinen toimintakyky on rajoittunut tai joilla ei ole aikaisempaa kokemusta tai tietoa laitteen käytöstä, jos heitä valvotaan tai jos he ovat saaneet ohjeistusta laitteen turvallisesta käyttötavasta ja he ymmärtävät laitteen käyttöön liittyvät vaarat. Lasten ei tule antaa leikkiä laitteen kanssa. Lapset eivät saa puhdistaa tai tehdä käyttäjän huoltotoimia, ilman aikuisen valvontaa.

1.3 Lasten turvallisuus

- Suosittelemme äärimmäistä varovaisuutta, kun laitetta käytetään lasten tai sellaisten ihmisten, jotka ovat fyysisesti, sensorisesti tai henkisesti rajoittuneita, lähettyvillä.
- Tukehtumisen vaara! Säilytä kaikki pakkaustarvikkeet lasten ulottumattomissa.
- Lapset saavat käyttää laitetta ilman aikuisen valvontaa ainoastaan, kun heitä on opastettu riittävästi, jotta lapsi voi käyttää mikroaaltouunia turvallisella tavalla ja ymmärtää vääränlaisen käytön aiheuttamat vaarat.
- Koska grilli- ja yhdistelmätoiminnot tuottavat ylimääräistä lämpöä, lapset saavat käyttää näitä toimintoja vain aikuisen valvonnassa.

- Säilytä laitetta ja sen verkkojohtoa siten, että alle 8-vuotiaat lapset eivät pääse siihen käsiksi.
- Laite ja sen käytettävissä olevat pinnat voivat kuumeta erittäin kuumiksi käytön aikana. Pidä lapset poissa laitteen ulottuvilta.
- Laitetta ei ole tarkoitettu sellaisten henkilöiden (mukaan lukien lapset) käytettäväksi, joiden fyysiset, sensoriset tai henkiset kyvyt ovat alentuneet, tai joilla ei ole kokemusta tai tietoa laitteen oikeasta käyttötavasta, jos heitä ei valvota tai jos he eivät ole saaneet ohjeistusta koskien laitteen oikeaa käyttötapaa heistä vastuussa olevan henkilön toimesta.
- Nuoria lapsia tulee valvoa, jotta varmistetaan, etteivät he leiki laitteen kanssa.
- **VAROITUS:** Lapset saavat käyttää laitetta ilman aikuisen valvontaa ainoastaan, kun heitä on opastettu riittävästi, jotta lapsi voi käyttää uunia turvallisella tavalla ja ymmärtää vääränlaisen käytön aiheuttamat vaarat.

1.4 WEEE-direktiivin noudattaminen ja laitteen hävittäminen:

Tämä tuote täyttää EU:n WEEE-direktiivissä (2012/19 /EU) asetetut vaatimukset. Tuotteessa on sähkö- ja elektroniikkalaiteromun (WEEE) kierätysymboli.



Tämä symboli ilmoittaa, että tuotetta ei tule sen käyttöään päättyessä hävittää tavanomaisen kotitalousjätteen mukana. Tuote tulee toimittaa viralliseen sähkö- ja elektroniikkalaitteiden kierrätyspisteeseen. Tietoja paikallisista kierrätyspisteistä saat paikallisilta viranomaisilta ja myymälästä, josta tuote on ostettu. Kotitalouksilla on tärkeä rooli vanhojen laitteiden keräämisessä ja kierrättämisessä. Kun hävität käytetyt laitteet vaatimusten mukaisella tavalla olet mukana torjumassa tällaisista laitteista aiheutuvia ympäristö- ja terveyshaittoja.

1.5 RoHS-direktiivin vaatimustenmukaisuus

Tämä tuote täyttää EU:n RoHS-direktiivissä (2011/65/EU) asetetut vaatimukset. Se ei sisällä direktiivissä määritettyjä haitallisia ja kiellettyjä materiaaleja.

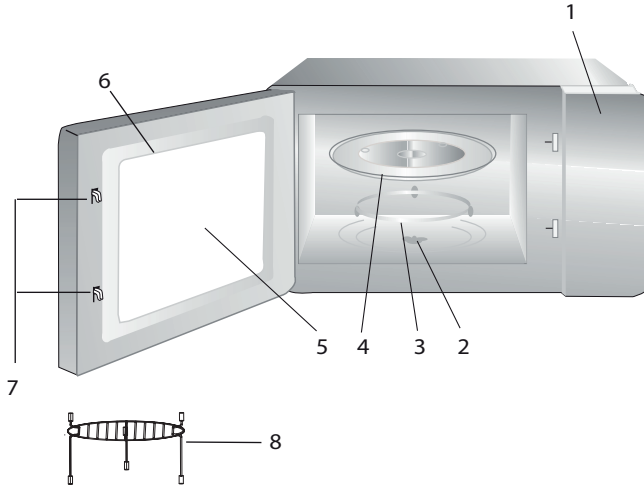
1.6 Pakkaustiedot



Tuotteen pakkaus on valmistettu kierrätettävistä materiaaleista paikallisen lainsäädännön mukaisesti. Älä hävitä pakkausmateriaalia yhdessä muun kotitalousjätteen tai muiden jätteiden kanssa. Vie pakkausmateriaali paikallisten viranomaisten ilmoittamiin keräyspisteisiin.

2 Mikroaaltouuni

2.1 Yleiskatsaus



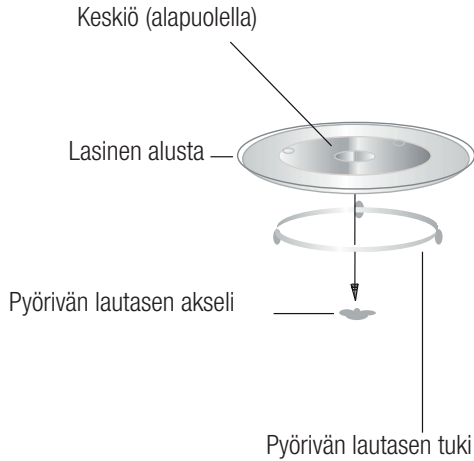
1. Ohjauspaneeli
2. Pyörivän lautasen akseli
3. Pyörivän lautasen tuki
4. Lasinen alusta
5. Uunin ikkuna
6. Luukut
7. Luukun turvalukitusjärjestelmä
8. Grilliritilä (käytetään vain yhdessä grillaustoinnin kanssa ja sijoitetaan lasiselle alustalle)

2.2 Tekniset tiedot

Virrankulutus	230 V~50 Hz, 1450 W (mikroaaltouuni) 1000 W (grilli)
Teho	900 W
Käyttöraajuus	2450 MHz
Ampeeriarvo	6,4 A
Ulkoiset mitat	388 mm (K) / 595 mm (L) / 400 mm (S)
Uunin sisämitat	206 mm (K) / 328 mm (L) / 368 mm (S)
Uunin kapasiteetti	25 litraa
Nettopaino	18,5 kg

Tuotteen merkinnöissä tai muussa tuotteen toimitukseen kuuluvassa painetussa materiaalissa ilmoitetut arvot on saatu laboratorio-olosuhteissa asiaankuuluvien standardien mukaisesti. Nämä arvot voivat vaihdella laitteen käyttö- ja ympäristöolosuhteiden mukaan. Tehoarvot on testattu käyttäen 230 V:n jännitettä.

2.3 Kääntyvän lautasen asentaminen



- Älä koskaan asenna lasista alustaa väärinpäin. Lasisen alustan liikettä ei koskaan saa rajoittaa.
- Lasista alustaa ja sen kannatinta tulee aina käyttää kypsennyksen aikana.
- Kaikki ruoat ja ruokaa sisältävät astiat tulee aina sijoittaa lasiselle alustalle kypsentämistä varten.
- Jos lasinen alusta tai sen kannatin halkeavat tai murtuvat, ota yhteyttä lähimpään valtuutettuun huoltokeskukseen.

3 Asennus ja liitäntä

3.1 Asennus ja liitäntä

- Irrota kaikki pakkausmateriaalit ja lisävarusteet. Tarkista ettei uunissa ole vaurioita kuten lommoja tai rikkiäistä luukkuja. Älä asenna uunia jos se on vaurioitunut.
- Irrota kaikki suojakalvot mikroaaltouunikaapin pinnalta.
- Älä poista vaaleanruskeaa mica-eristemateriaalia, joka on kiinnitetty uunin sisään magnetronin suojaamiseksi.
- Tämä laite on suunniteltu vain kotitalouskäyttöä varten.
- Tämä uuni on tarkoitettu ainoastaan sisäänrakennettuun käyttöön. Sitä ei ole tarkoitettu käytettäväksi pöydän päällä tai kaapissa.
- Noudata erityisiä asennusohjeita.
- Laite voidaan asentaa 60cm leveään, seinään kiinnitettävän kaapin sisään (joka on ainakin 50 cm syvä ja 85 cm lattiatason yläpuolella).
- Laitteessa on pistoke ja se tulee kytkeä ainoastaan oikein asennettuun maadoitettuun pistorasiaan.
- Pistorasian jännitteen on vastattava laitteen tyyppikilvessä annettuja arvoja.
- Jos pistoketta ei ole enää vapaasti saatavilla asennuksen jälkeen, moninapainen eristyskytkin jonka kosketusväli on vähintään 3 mm, tulee olla paikoillaan asennuspuolella.
- Sovittimia, jakorasioita ja jatkojohtoja ei tule käyttää. Mikroaaltouunin ylikuormitus voi aiheuttaa tulipalovaaran.



Laitteen käytettävissä olevat pinnat voivat kuumentua käytön aikana.

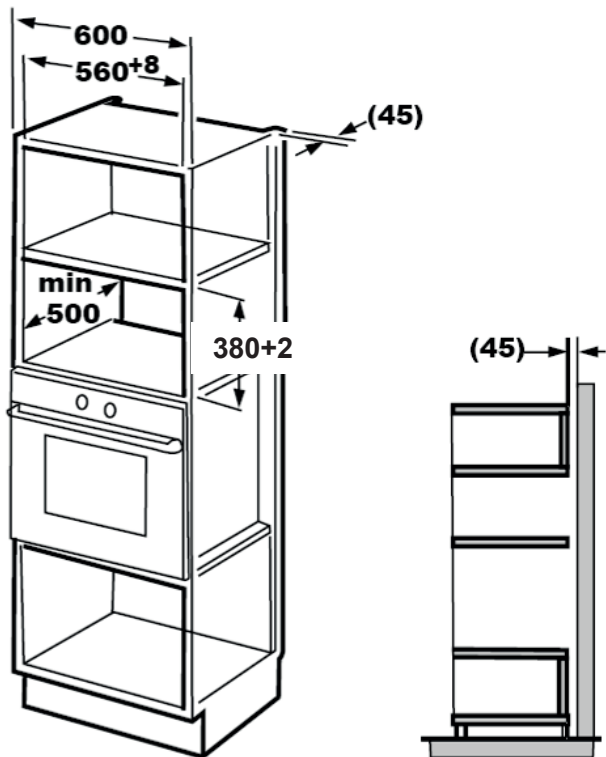


Älä jätä verkkojohtoa puristuksiin tai taita sitä.

3 Asennus ja liitäntä

3.2 Sisäänrakennettu asennus

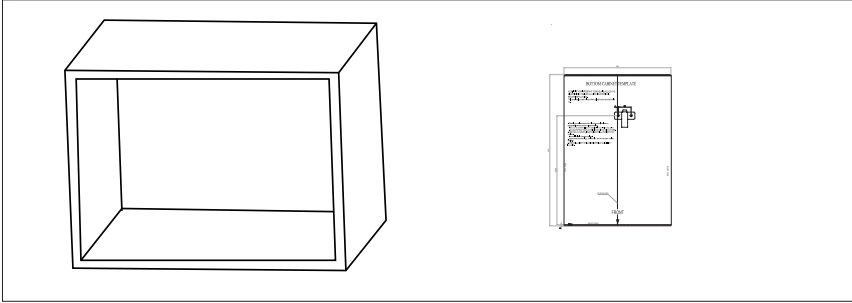
3.2.1 Huonekalujen mitat sisäänrakennettua asennusta varten



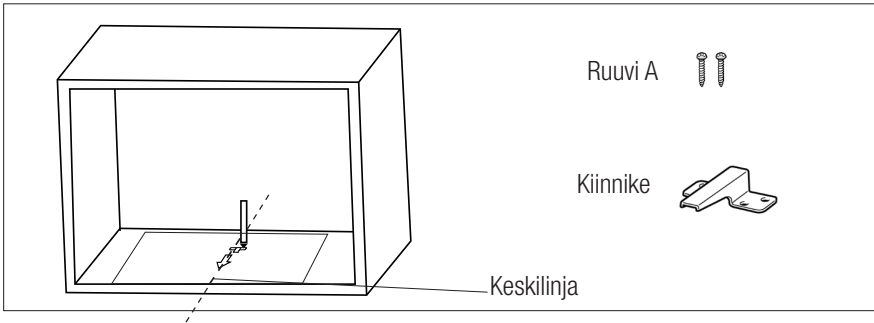
3 Asennus ja liitäntä

3.2.2 Kaapin valmistelut

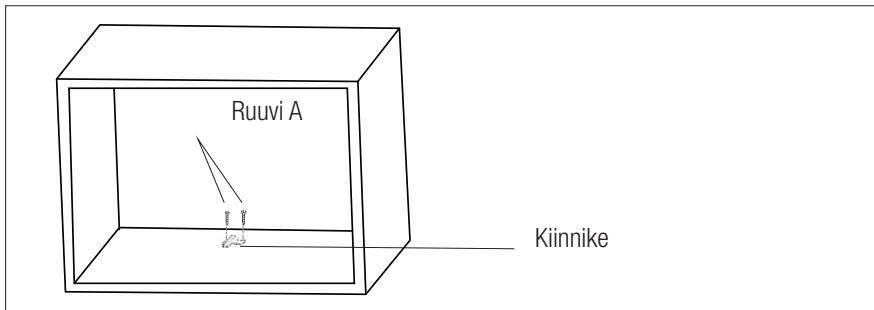
1. Lue ohjeet alakaapin mallipohjasta ja aseta malli kaapin pohjatasolle.



2. Tee merkinnät kaapin pohjatasolle mallissa olevien "a" merkintöjen mukaan.



3. Irrota alemman kaapin malli ja kiinnitä kiinnike ruuvilla A.

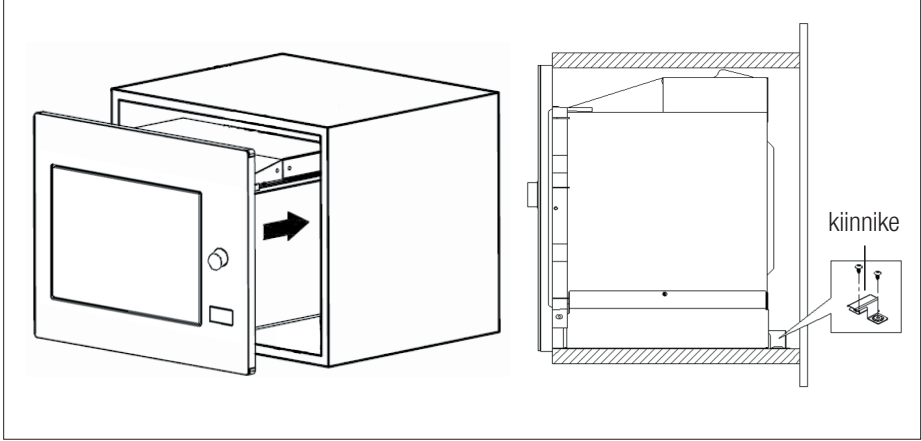


3 Asennus ja liitäntä

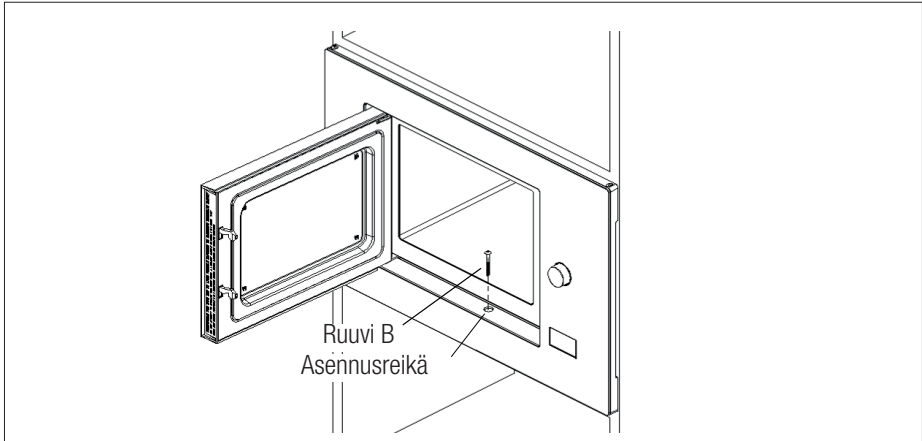
3.2.3 Mikroaaltouunin kiinnittäminen

1. Asenna mikroaaltouuni kaappiin.

- Varmistu siitä että uunin takaosa on lukittu kiinnikkeen avulla.
- Älä jätä verkkojohtoa puristuksiin tai taita sitä.



2. Avaa ovi ja kiinnitä mikroaaltouuni kaappiin ruuvilla B asennusreiän kautta.



3.3 Radiotaajuushäiriöt



Mikroaaltouunin käyttö voi aiheuttaa häiriöitä radion, TV:n ja vastaavien laitteiden toiminnassa.

- Aseta mikroaaltouuni niin kauas radiosta ja TV:stä kuin mahdollista. Mikroaaltouunin käyttö voi aiheuttaa häiriöitä radio- tai televisiölähetyksen aikana. 2. Liitä mikroaaltouuni tavanomaiseen pistorasiaan. Varmistu siitä että verkon jännite ja taajuus vastaavat laitteen tyyppikilvessä mainittuja arvoja.
- Häiriöiden ilmetessä, niitä voidaan vähentää tai eliminoida ryhtymällä seuraaviin varotoimiin:
- Puhdista uunin luukku ja tiivisteen pinta.
- Suuntaa radion tai TV:n antenni uudelleen.
- Vaihda mikroaaltouunin sijaintia vastaanottimen sijainnista riippuen.
- Sijoita mikroaaltouuni kauas vastaanottimesta.
- Liitä mikroaaltouuni toiseen pistorasiaan, silloin mikroaaltouuni ja vastaanotin ovat eri sähkövirtapiirissä.

3.4 Mikroaaltokypsennyksen periaatteet

- Valmista ruoka huolellisesti. Aseta jäljellä olevat osat lautasen ulkopuolelle.
- Kiinnitä huomiota kypsennysaikaan. Kypsennä lyhyimmässä määritellyssä ajassa ja lisää aikaa tarvittaessa. Ylikypsennetty ruoka voi savuta tai palaa.
- Peitä ruoka valmistamisen ajaksi. Ruoan peittäminen estää roiskeet ja auttaa varmistamaan, että ruoka kypsentyä tasaisesti.
- Käännä ruoanvalmistuksen aikana ruokia, kuten siipikarjaa tai jauhelihihihvejä nopeuttaaksesi ruokien kypsentämistä. Suuremmat ruoat, kuten paisti, tulee kääntää toisinpäin vähintään kerran.

- Jos kypsennät esimerkiksi lihapullia, käännä ne ruoanvalmistuksen aikana ylösalaisin ja sekoita niitä lautasen keskeltä reunoille ja päinvastoin.

3.5 Maadoitusohjeet

Tämä laite on maadoitettava. Tämä laite sisältää maadoitetun johdon maadoitetulla virtapistokkeella. Laite tulee kytkeä ainoastaan oikein asennettuun maadoitettuun pistorasiaan. Maadoitusjärjestelmässä sähkövirta poistuu vuotojohdon kautta oikosulun tapahtuessa ja pienentää sähköiskun vaaraa. Suosittelemme käyttämään yksinomaan uunille varattua sähkövirtapiiriä. Korkean jännitteen käyttö on vaarallista ja voi aiheuttaa tulipalon tai muita onnettomuuksia, jotka voivat vahingoittaa uunia.



VAROITUS:

Maadoituspistokkeen väärinkäyttö voi aiheuttaa sähköiskun.



Jos sinulla on kysyttävää maadoituksesta tai sähköasennuksesta, ota yhteyttä valtuutettuun sähköasentajaan tai huoltoon.



Valmistaja ja/tai jälleenmyyjä ei ota mitään vastuuta loukkaantumisesta tai uunille aiheutuvasta vahingosta, joka voi aiheutua jos sähköliitännöitä ei tehdä oikein.

3.6 Astiakoe

Älä koskaan käynnistä mikroaaltouunia tyhjänä. Ainoa poikkeus on astiakoe joka on kuvattu seuraavassa osiossa. Jotkut ei metalliset astiat eivät ehkä sovellu käytettäväksi mikroaaltouunissa. If jos et ole varma, sopiiko astiasi mikroaaltouunin käyttöä varten, voit suorittaa seuraavan kokeen.

3 Asennus ja liitäntä

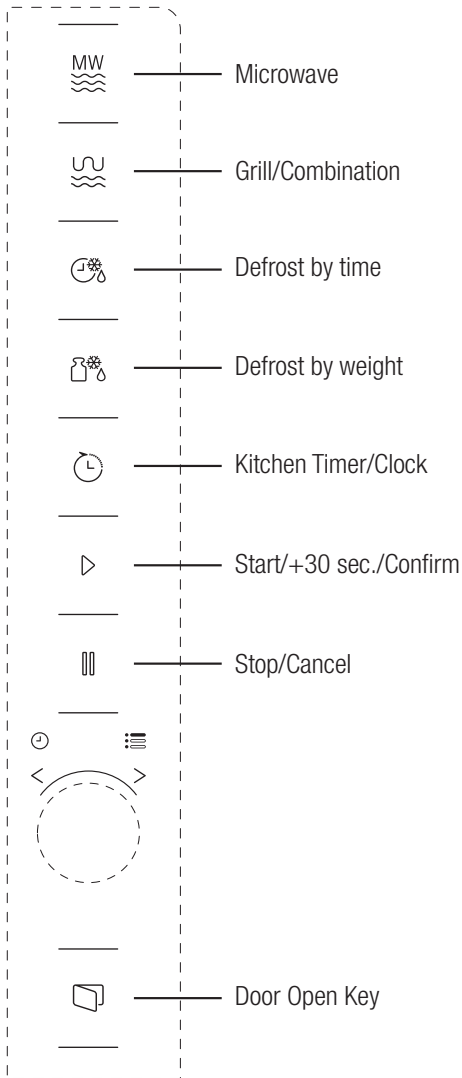
1. Aseta tyhjä astia jolle haluat suorittaa kokeen mikroaaltouuniin yhdessä mikronkestävän lasin kanssa joka on täytetty 250 ml vettä.
2. Käytä mikroaaltouunia maksimiteholla 1 minuutin ajan.
3. Tarkista varovasti astian lämpötila. Jos astia on lämmin, se ei sovellu käytettäväksi mikroaaltouunissa.
4. Älä koskaan ylitä 1 minuutin käyttöaikaajaa. Jos huomaat kipinöintiä tämän minuutin aikana, sammuta mikroaaltouuni. Astiat, jotka aiheuttavat kipinöintiä, eivät sovellu käytettäväksi mikroaaltouunissa.

Seuraava luettelo on yleisohje, jonka avulla valitset oikean astian.

Kypsennysastia	Mikroaaltouuni	Grilli	Yhdistelmä
Kuumuutta kestävä lasi	Kyllä	Kyllä	Kyllä
Kuumuutta kestämätön lasi	Ei	Ei	Ei
Kuumuutta kestävät keraamiset astiat	Kyllä	Kyllä	Kyllä
Mikroaaltouunikäyttöön soveltuvat muoviasiat	Kyllä	Ei	Ei
Pahviset astiat	Kyllä	Ei	Ei
Metalliasia	Ei	Kyllä	Ei
Metalliritilä	Ei	Kyllä	Ei
Alumiinifolio ja foliokannet	Ei	Kyllä	Ei
Vaahtomuovimateriaalit	Ei	Ei	Ei

4 Käyttö

4.1 Ohjauspaneeli



4.2 Käyttöohje

4.2.1 Ajan asettaminen

Mikroaaltouunin kytkeytyessä päälle "0:00" esitetään LED-näytössä, laitteen päästäessä äänimerkin.

1. Paina "Keittiöajastin/kello"-painiketta kahdesti ja tunnit alkavat vilkkua.
2. Kierrä säätääksesi tunnit, arvon tulee olla välillä 0 - 23.
3. Paina "Keittiöajastin/kello"-painiketta kahdesti ja minuutit alkavat vilkkua.
4. Kierrä säätääksesi minuutit, arvon tulee olla välillä 0 - 59.
5. Paina "Keittiöajastin/kello"-painiketta päättääksesi ajan asettamisen. ":" symboli vilkkuu, ja aika syttyy palamaan näyttöön.



Jos painat "Pysäytä/peruuta"-painiketta aikaa asettaessasi, uuni palaa automaattisesti takaisin edelliseen tilaan.

4.2.2 Kypsentäminen mikroaaltouunilla

1. Paina "Mikroaalto"-painiketta ja "P10" esitetään LED-näytössä.
2. Paina "Mikroaalto"-painiketta uudelleen tai kierrä valitaksesi haluamasi tehon. Joka kerta kun painat näppäintä, "P10", "P8", "P5", "P3" tai "P1" esitetään näytössä vastaavasti.
3. Paina "Käynnistä/+30 sek./vahvista"-painiketta vahvistaaksesi ja kierrä asettaaksesi kypsennysajan välillä 0:05 ja 95:00.
4. Paina "Käynnistä/+30 sek./vahvista"-painiketta uudelleen aloittaaksesi kypsentämisen.

4 Käyttö



Esimerkiksi: Jos haluat käyttää 80% mikroaaltotehoa kypsentääksesi ruokaa 20 minuutin ajan, voit käyttää uunia noudattaen seuraavia vaiheita.

5. Paina "Mikroaalto"-painiketta kerran ja "P10" esitetään näytössä.
 6. Paina "Mikroaalto"-painiketta uudelleen tai kierrä asettaaksesi mikroaaltotehon 80 %.
 7. Paina "Käynnistä/+30 sek./vahvista"-painiketta vahvistaaksesi ja "P 80" esitetään näytössä.
 8. Kierrä säätääksesi kypsennysaikaa kunnes "20:00" tulee esiin.
 9. Paina "Käynnistä/+30 sek./vahvista"-painiketta aloittaaksesi kypsentämisen.
- Vaiheet ajan asettamista varten koodauspainikkeella ovat seuraavat:

Ajan asettaminen	Ajan lisääminen
0-1 minuuttia	5 sekuntia
1-5 minuuttia	10 sekuntia
5-10 minuuttia	30 sekuntia
10-30 minuuttia	1 minuuttia
30-95 minuuttia	5 minuuttia

4.2.3 Mikroaaltouunin näppäimistön käyttöohje

Järjestys	Näyttö	Mikroaaltoteho
1	P10	100 %
2	P8	80 %
3	P5	50 %
4	P3	30 %
5	P1	10 %

4. 3 Kypsennys käyttäen grilli- tai yhdistelmätoimintoa

1. Paina "Grilli/yhdistelmä"-painiketta ja "G" esitetään LED-näytössä. Paina "Grilli/yhdistelmä"-painiketta toistuvasti tai kierrä valitaksesi haluamasi tehon. Joka kerta kun painat näppäintä, "G", "C-1" tai "C-2" esitetään näytössä vastaavasti.
2. Paina "Käynnistä/+30 sek./vahvista"-painiketta vahvistaaksesi ja kierrä asettaaksesi kypsennysajan välillä 0:05 ja 95:00.
3. Paina "Käynnistä/+30 sek./vahvista"-painiketta uudelleen aloittaaksesi kypsentämisen.



Esimerkiksi: Jos haluat käyttää 55 % mikroaalto- ja 45 % grillaus-tehoa (C-1) kypsentääksesi ruokaa 10 minuutin aikana, voit käyttää uunia noudattaen seuraavia vaiheita.

1. Paina "Grilli/yhdistelmä"-painiketta kerran ja "G" esitetään näytössä.
2. Paina "Grilli/yhdistelmä"-painiketta toisen kerran tai kierrä valitaksesi yhdistelmätilan 1.
3. Paina "Käynnistä/+30 sek./vahvista"-painiketta vahvistaaksesi ja "C-1" esitetään näytössä.
4. Kierrä säätääksesi kypsennysaikaa kunnes "10:00" esitetään näytössä.
5. Paina "Käynnistä/+30 sek./vahvista"-painiketta aloittaaksesi kypsentämisen.

4 Käyttö


4.3.1 "Grilli/yhdistelmä"-toiminnon näppäimistön käyttöohje

Järjestys	Näyttö	Mikroaaltoteho	Grilli Teho
1	G	0 %	100 %
2	C-1	55 %	45 %
3	C-2	36 %	64 %



Kun puolet grillausajasta on kulunut uuni päästää äänimerkin kahdesti, tämä on normaalia. Jotta grillaustoiminto tehostuisi, käännä kypsentämäsi ruoka toisin päin, sulje luukku, ja paina sitten "Käynnistä/+30 sek./vahvista"-painiketta jatkaaksesi kypsentämistä. Jos mitään toimintoa ei suoriteta, uuni jatkaa kypsentämistä.


4.4 Pikakäynnistys

1. Ollessasi valmiustilassa, paina "Käynnistä/+30 sek./vahvista"-painiketta aloittaaksesi kypsentämisen 100 % mikroaaltoteholla. Aina kun painat näppäintä, kypsennysaika kasvaa 30 sekunnin askeleissa 95 minuuttiin asti.
2. Mikroaaltokypsennyksessä, grillaus- ja yhdistelmätoimintoa tai ajatettua sulatusta käytettäessä, kypsennysaika kasvaa 30 sekuntia aina kun painat "Käynnistä/+30 sek./vahvista"-painiketta.
3. Ollessasi valmiustilassa, kierrä  vastapäivään asettaaksesi kypsennysajan 100 % mikroaaltoteholla ja paina "Käynnistä/+30sek./vahvista"-painiketta aloittaaksesi kypsentämisen.




Käyttäessäsi automaattista valikkoa tai sulatustilaa painon mukaan, painamalla "Käynnistä/+30 sek./vahvista"-painiketta kypsennysaika ei muutu.

4.5 Sulatuspainon asettaminen


1. Paina "Sulatuspainon asettaminen"-painiketta kerran.
2. Kierrä  asettaaksesi ruoan painon 100-2000 g.
3. Paina "Käynnistä/+30 sek./vahvista"-painiketta käynnistääksesi sulatuksen.

4.6 Sulatusajan asettaminen

1. Paina "Sulatusajan asettaminen"-painiketta kerran.
2. Kierrä  valitaksesi sulatusajan. Sulatuksen enimmäiskesto on 95 minuuttia.
3. Paina "Käynnistä/+30 sek./vahvista"-painiketta käynnistääksesi sulatuksen. Sulatusteho on P30 eikä sitä voida muuttaa.

4.7 Keittiöajastin (laskuri)

Uunisi on varustettu automaattisella laskurilla jota ei ole yhdistetty uunin toimintoihin ja jota voidaan käyttää erikseen keittiössä (arvoksi voidaan asettaa enint. 95 minuuttia.)

1. Paina "Keittiöajastin/kello"-painiketta kerran ja 00:00 esitetään LED-näytössä.
2. Kierrä  syöttääksesi oikean ajan.
3. Paina "Käynnistä/+30sek./vahvista"-painiketta vahvistaaksesi asetuksen.

4 Käyttö



4. Kun syötetyn ajan laskuri saavuttaa 00:00, laite päästää äänimerkin 5 kertaa peräkkäin. Jos aika on asetettu (käyttäen 24 tunnin järjestelmää), nykyinen aika esitetään LED-näytössä.

Paina "Pysäytä/peruuta"-painiketta sammuttaaksesi ajastimen koska tahansa.





Keittiöajastin toimii eri tavalla kuin 24 tunnin järjestelmä. Ajastin toimii ainoastaan ajastimena.

4.8 Automaattinen valikko

1. Kierrä  myötäpäivään valitaksesi haluamasi valikon. Valinnat "A-1" ja "A-8", nimeltään pizza, liha, kasvikset, pasta, perunat, kala, juomat ja popcorn, tulevat esiin.
2. Paina "Käynnistä/+30sek./vahvista"-painiketta vahvistaaksesi.
3. Kierrä  valitaksesi oletuspainon valikkotaulukon mukaisesti.
4. Paina "Käynnistä/+30 sek./vahvista"-painiketta aloittaaksesi kypsentämisen.



Esimerkiksi: Jos haluat käyttää "Autom. valikkoa" kypsentääksesi 350 g kalaa:

1. Kierrä  myötäpäivään kunnes "A-6" esitetään näytössä.
2. Paina "Käynnistä/+30sek./vahvista"-painiketta vahvistaaksesi.
3. Kierrä  valitaksesi kalan painon kunnes "350" esitetään näytössä.
4. Paina "Käynnistä/+30 sek./vahvista"-painiketta aloittaaksesi kypsentämisen.

4 Käyttö

4.8.1 Automaattinen kypsennysvalikko

Valikko	Paino	Näyttö
A-1 Pizza	200 g	200
	400 g	400
A-2 Liha	250 g	250
	350 g	350
	450 g	450
A-3 Kasvikset	200 g	200
	300 g	300
	400 g	400
A-4 Pasta	50 g (yhdessä 450 ml kanssa kylmää vettä)	50
	100 g (yhdessä 800 ml kanssa kylmää vettä)	100
A-5 Perunoita	200 g	200
	400 g	400
	600 g	600
A-6 Kala	250 g	250
	350 g	350
	450 g	450
A-7 Juomat	1 lasillinen (120 ml)	1
	2 lasillista (240 ml)	2
	3 lasillista (360 ml)	3
A-8 Popcorn	50 g	50
	100 g	100

4.9 Monivaiheinen ruoanlaitto

Enintään 2 vaihetta voidaan asettaa kypsentämistä varten. Monivaiheisessa ruoanlaitossa, jos yksi vaiheista on sulattaminen, sulattaminen tulee asettaa ensimmäiseksi.



Jos haluat sulattaa ruokaa 5 minuutin ajan ja kypsentää sitä 80% mikroaaltoteholla 7 minuutin ajan, suorita seuraavat vaiheet:

1. Paina "Sulatusajan asettaminen"-painiketta kerran.
2. Kierrä valitaksesi sulatusajan kunnes "5:00" esitetään näytössä.
3. Paina "Mikroaalto"-painiketta kerran ja "P100" esitetään näytössä.
4. Paina "Mikroaalto"-painiketta uudelleen tai kierrä asettaaksesi mikroaaltotehon 80 %.
5. Paina (Käynnistä/+30 sek./vahvista) vahvistaaksesi ja "P 80" esitetään näytössä.
6. Kierrä säätääksesi kypsennysaikaa kunnes "7:00" esitetään näytössä.
7. Paina "Käynnistä/+30sek./vahvista"-painiketta aloittaaksesi kypsentämisen. Laite päästää äänimerkin kerran ensimmäistä vaihetta varten ja sulatusajan laskenta käynnistyy. Laite päästää äänimerkin uudelleen toisen kypsennysvaiheen alussa. Laite päästää äänimerkin 5 kertaa peräkkäin kypsennyksen päätteeksi.

4.10 Muistitoiminto

1. Mikroaalto, grillaus- ja yhdistelmätilassa, paina "Mikroaalto"- tai "Grilli/yhdistelmä"-painiketta ja nykyinen tehotaso esitetään näytössä 3 sekunnin ajan. 3 sekunnin kuluttua, laite palaa takaisin edelliseen tilaan.
2. Ruokaa kypsentaessasi, paina "Keittiöajastin/kello"-painiketta ja nykyinen aika tulee esiin 3 sekunnin ajaksi.

4.11 Lapsilukko

1. **Lapsilukon asettaminen:** Ollessasi valmiustilassa, paina "Pysäytä/peruuta"-painiketta 3 sekunnin ajan, jolloin laite päästää äänimerkin ilmaisten lapsilukon olevan asetettu päälle. Jos kellonaika on jo asetettu, näytetään myös nykyinen aika: muussa tapauksessa esitetään LED-näytössä.
2. **Lapsilukon purkaminen:** Purkaaksesi lapsilukon, paina "Pysäytä/peruuta"-painiketta 3 sekunnin ajan jolloin laite päästää pitkän äänimerkin ilmaisten lapsilukon olevan asetettu pois päältä.

4.12 Uunin luukun avaaminen

Paina (avaa luukku) jolloin luukku avautuu.

5 Puhdistaminen ja kunnossapito

5.1 Puhdistaminen



VAROITUS: Älä koskaan käytä bensiiniä, liuotainaineita, hankaavia puhdistusaineita, metalliesineitä tai kovia harjoja laitteen puhdistamiseen.



VAROITUS: Älä upota laitetta tai sen verkkojohtoa veteen tai muuhun nesteeseen.

1. Sammuta laite ja irrota sen verkkojohto pistorasiasta.
2. Anna laitteen jäähtyä kokonaan.
3. Pidä uunin sisäpuoli puhtaana. Pyyhi sisäpuoli kostealla liinalla, jos uunin seinin on jäänyt kiinni ruokaa tai roiskuneita nesteitä. Voit käyttää mieto pesuainetta laitteen puhdistamiseen, jos uuni on erittäin likainen. Vältä käyttämästä suihkeita tai muita puhdistusaineita, sillä ne voivat aiheuttaa ylimääräisiä tahroja tai jälkiä ja uunin luukun pinnan samentumista.
4. Uunin ulkopinnat tulee puhdistaa kostealla liinalla. Älä anna veden päästä sisään laitteen tuuletusaukoista, jotta uunin toimivat osat eivät vaurioituisi.
5. Pyyhi uunin luukku ja lasi molemmilta puolilta, sekä luukun tiivisteet ja alueet tiivisteiden ympäriltä säännöllisesti kostealla liinalla poistaaksesi ylivuotaneet tai roiskuneet tahrat. Älä käytä hankaavia puhdistusaineita.
6. Älä anna ohjauspaneelin kastua. Puhdista laite pehmeällä, kostealla liinalla. Jätä uunin luukku auki estääksesi sen tahattoman päällekytkemisen, kun puhdistat ohjauspaneelia.
7. Jos höyryä kertyy uunin luukun sisäpuolelle tai sen ympärille, pyyhi kostealla liinalla. Näin voi tapahtua, jos mikroaaltouunia käytetään hyvin kosteassa ympäristössä. Tämä on normaalia.
8. Lasinen alusta on irrotettava silloin tällöin puhdistamista varten. Pese alusta lämpimällä saippuavedellä tai laittamalla se astianpesukoneeseen.
9. Pyörivä rengas ja uunin pohja tulee puhdistaa säännöllisesti, jotta laite ei aiheuttaisi ylimääräistä ääntä.
Uunin alapinnan puhdistamiseksi riittää pyyhkiminen miedolla pesuaineliuoksella. Pyörivä rengas voidaan pestä lämpimällä saippuavedellä tai laittamalla se astianpesukoneeseen. Kun irrotat pyörivän renkaan uunista sisäpohjasta puhdistamista varten, varmista että asetat sen oikeaan asentoon, laittaessasi sitä takaisin.
10. Poistaaksesi pahat hajut mikroaaltouunista, laita lasi vettä ja sitruunamehua sekä sitruunan kuori uuniin käyttäen syvää kulhoa, ja käytä uunia 5 minuuttia mikroaaltotilassa. Pyyhi sitten kuivaksi läpikotaisin käyttäen pehmeää liinaa.
11. Ota yhteys valtuutettuun huoltoon, uunin lampun vaihtamiseksi.
12. Mikroaaltouuni on puhdistettava säännöllisesti, ja sen sisälle kertyneet ruokajäämät on poistettava. Jos uunia ei puhdisteta säännöllisesti, tämä voi aiheuttaa pintavaurioita jotka vaikuttavat laitteen käyttöikänsä haitallisesti, ja voivat aiheuttaa vaaran.
13. Älä hävitä laitetta tavanomaisen kotitalousjätteen mukana: vanhat uunit tulee toimittaa kunnallisiin jätehuoltokeskuksiin.
14. Kun mikroaaltouunia käytetään yhdessä grillaustoiminnon kanssa, laitteen sisään voi muodostua hieman savua ja käryä jotka häviävät hetken kuluttua.

5.2 Säilytys

- Jos et aio käyttää laitetta pitkään aikaan, säilytä sitä huolellisesti.
- Varmista, että laite on irrotettu pistorasiasta, jäähtynyt ja täysin kuiva.
- Säilytä laitetta viileässä, kuivassa paikassa.
- Pidä laite poissa lasten ulottuvilta.

5 Puhdistaminen ja kunnossapito

5.3 Kuljetus ja käsittely

- Säilytä laitetta alkuperäisessä pakkauksessaan kuljetuksen ja käsittelyn aikana. Pakkaus suojaa laitetta fyysisiltä vahingoilta.
- Älä aseta raskaita kuormia laitteen tai pakkauksen päälle. Muuten laite voi vaurioitua.
- Laitteen pudottaminen voi tehdä sen toimimattomaksi tai aiheuttaa pysyviä vaurioita.

Vianmääritys

Normaalia	
Mikroaaltouuni voi aiheuttaa häiriöitä televisiovastaanottiin.	Radio- ja televisiolähetyksessä voi esiintyä häiriöitä mikroaaltouunin ollessa käytössä. Se on samankaltaista kuin pienten sähkölaitteiden, kuten sauvasekoittimen, pölynimurin tai tuulettimen aiheuttamat häiriöt. Tämä on normaalia.
Uunin valaisin on himmentynyt.	Matalatehoisessa mikroaaltokypsennyksessä, uunin valaisin voi olla himmentynyt. Tämä on normaalia.
Luukun taakse kerääntyvä höyry, tuuletusaukoista tuleva kuuma ilma	Kypsennyksen aikana, ruoasta voi nousta höyryä. Suurin osa tästä höyrystä poistuu tuuletusaukojen kautta. Mutta osa voi kerääntyä viileään paikkaan, kuten luukun taakse. Tämä on normaalia.
Uuni on käynnistetty vahingossa ilman ruokaa.	Uunia ei saa käyttää tyhjänä. Tämä on erittäin vaarallista.

Vika	Mahdollinen syy	Ratkaisu
Uuni ei käynnisty.	1) Verkkojohtoa ei ole liitetty oikein.	Irrota verkkojohto seinästä. Liitä se sitten uudelleen 10 sekunnin kuluttua.
	2) Sulake on palanut tai laitteen elektroninen suojapiiri on kytkeytynyt päälle.	Vaihda sulake tai nollaa elektroninen suojapiiri (valtuutetun huoltokeskuksen toimesta).
	3) Pistoke ei toimi.	Kokeile pistorasiaa muiden sähkölaitteiden kanssa.
Uuni ei kypsennä ruokaa.	4) Luukku ei ole suljettu oikein.	Sulje luukku huolellisesti.
Lasinen alusta pitää ääntä mikroaaltouunin ollessa päällä	5) Lasinen alusta ja uunin pohja on likainen.	Katso osio "Puhdistaminen ja kunnossapito" puhdistaksesi likaiset osat.

NO

Service: Kontakt butikken der du kjøpte produktet så de kan henvise deg til lokal service

Oppgi: Produkttype, Serienummer, Kjøpsdato, Problembeskrivelse, Navn og adresse, Telefonnummer

DK

Service: Kontakt butikken hvor købet blev foretaget og få info om service kontakt

Nødvendig information: Model navn, Serienummer (står på typeskiltet), Køpsdato, Beskrivelse af problemet, Navn og adresse, Telefonnummer

FI

Huolto: Ota yhteyttä myymälään, josta ostit tuotteen, niin saat lisätietoja lähimmästä huoltoliikkeestä

Tarvittavat tiedot: Mallinnumero, Sarjanumero, Ostopäivä, Ongelman kuvaus, Nimi ja osoite, Puhelinnumero

SE

Service: Vi har service i hela Sverige. Besök www.cylinda.se
Ring 0771-25 25 00
(endast lokaltaxa)

Uppge: Maskintyp, serienummer, inköpsdatum, problembeskrivning, namn och adress, ditt telefonnummer

Kontakta oss:
www.cylinda.se

UK

Service: Nationwide service in Sweden
Visit www.cylinda.se
Call 0771-25 25 00

Declare: Model code, Serial number, Purchase date, Problem description, Name and address, Phone number

Contact us:
www.cylinda.se

Cylinda
år efter år